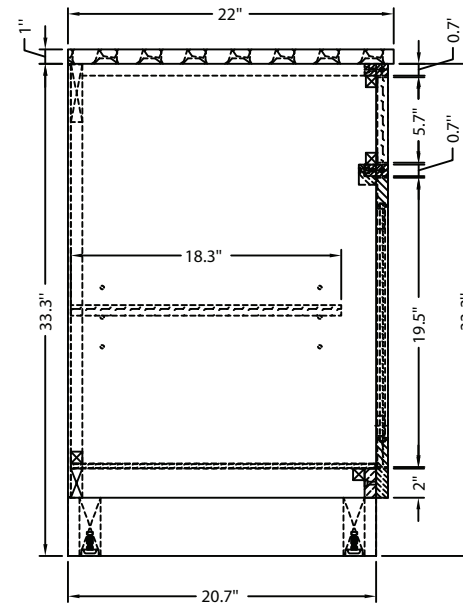
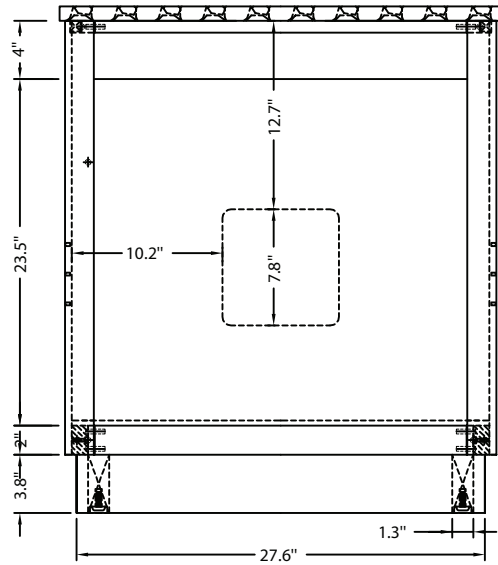
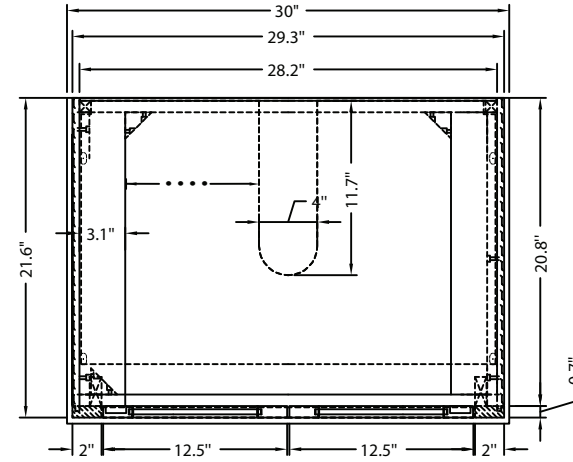
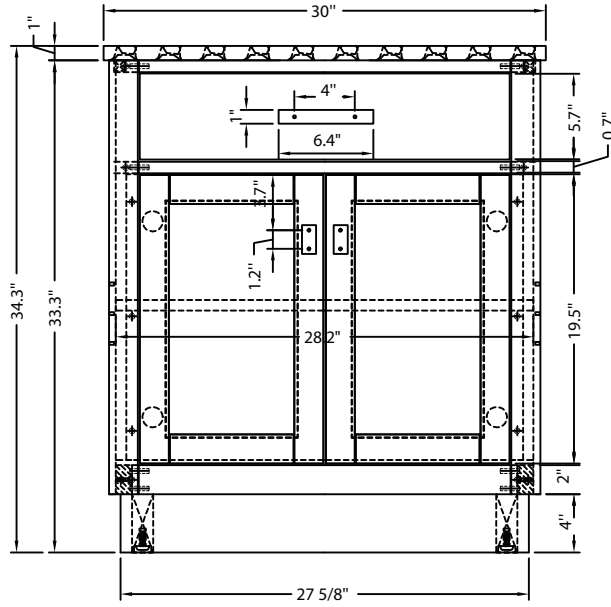


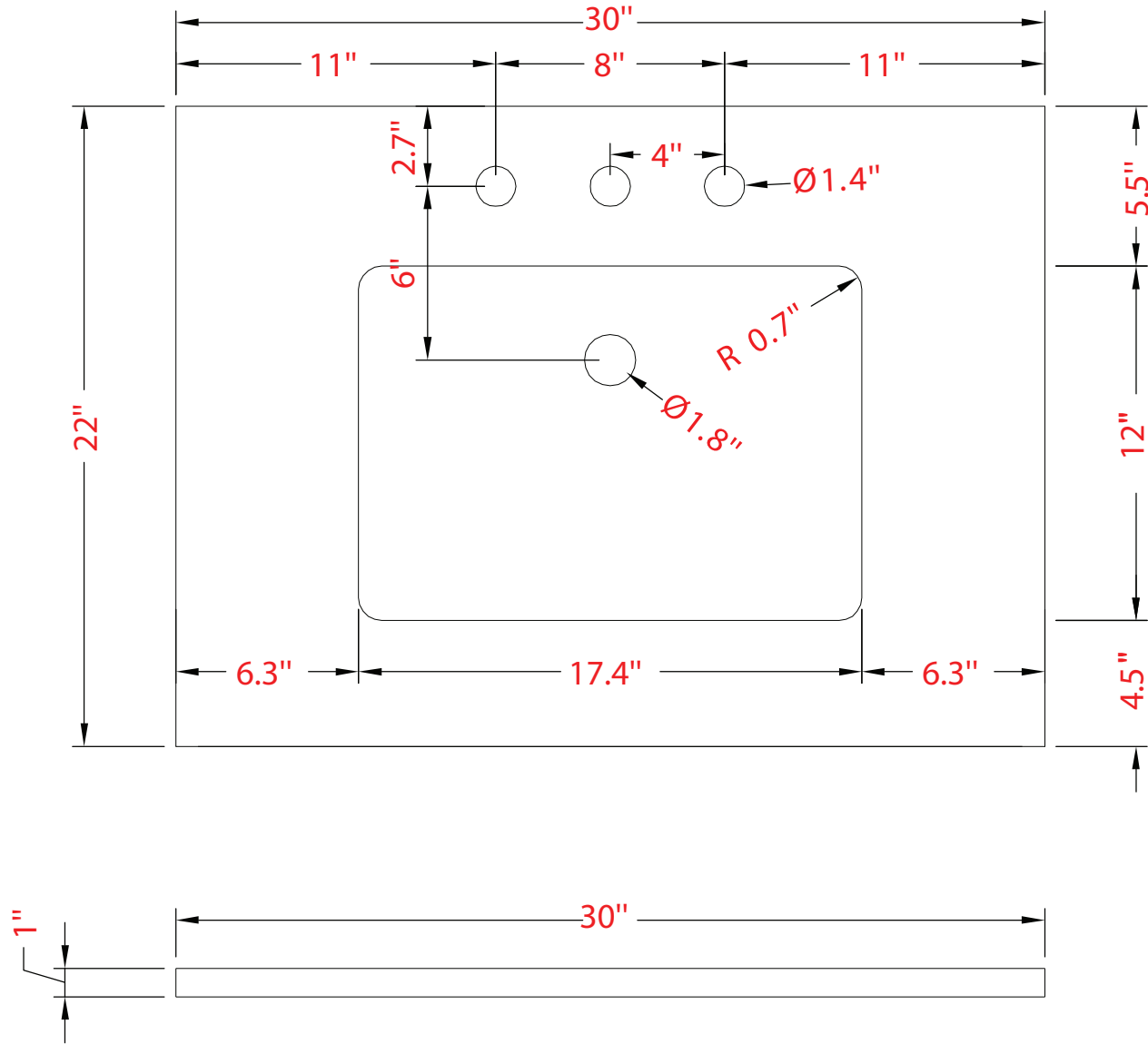


MODEL: HARTFORD 30



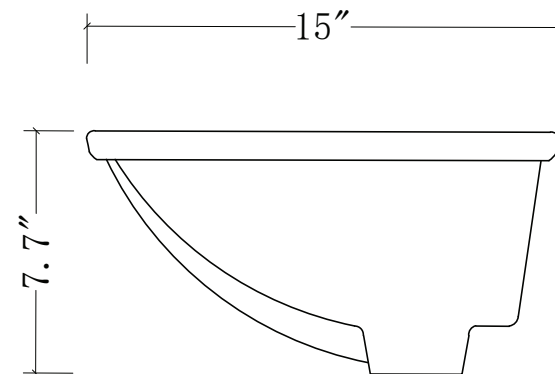
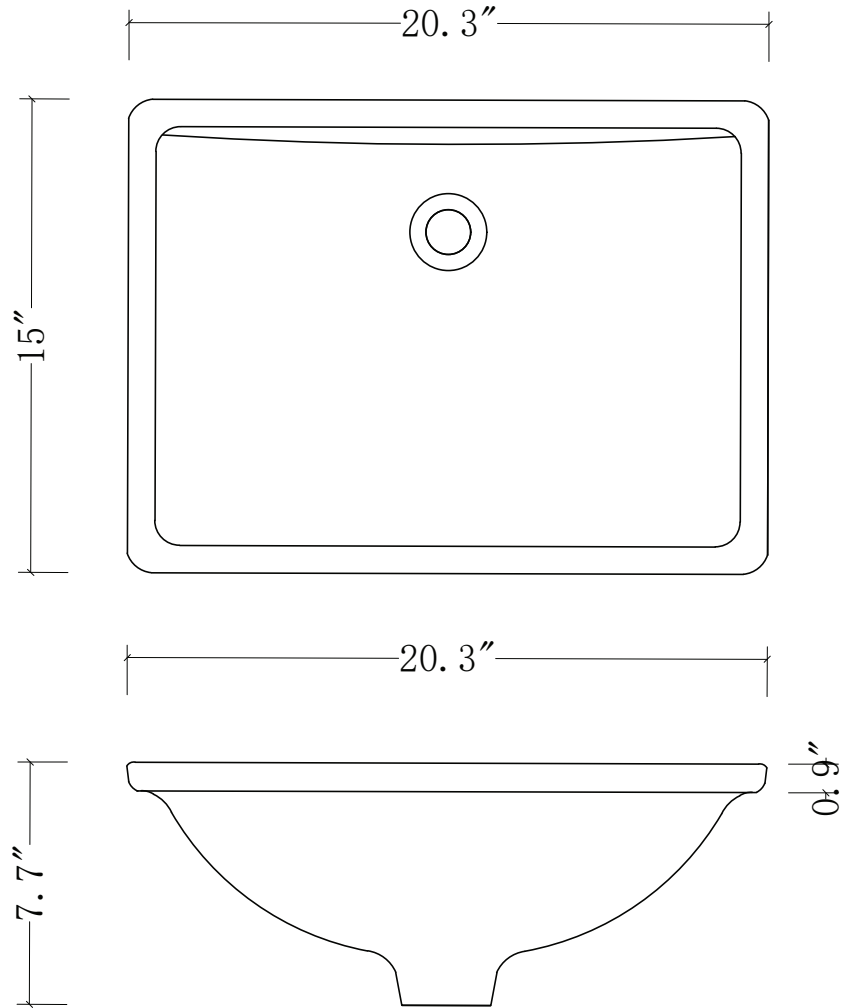


MODEL: HARTFORD 30





MODEL: HARTFORD 30





MODEL: F2-0012-TL (OPTIONAL)

