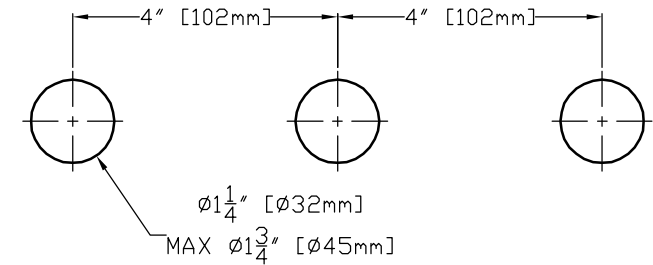
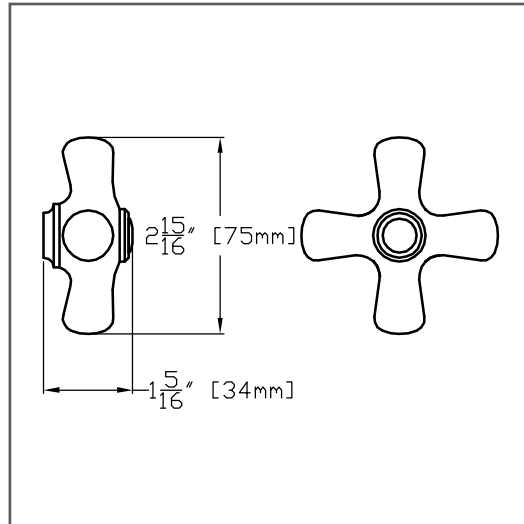




MODEL: F4-0001-01-PX



[Hole size on wall for valve]

