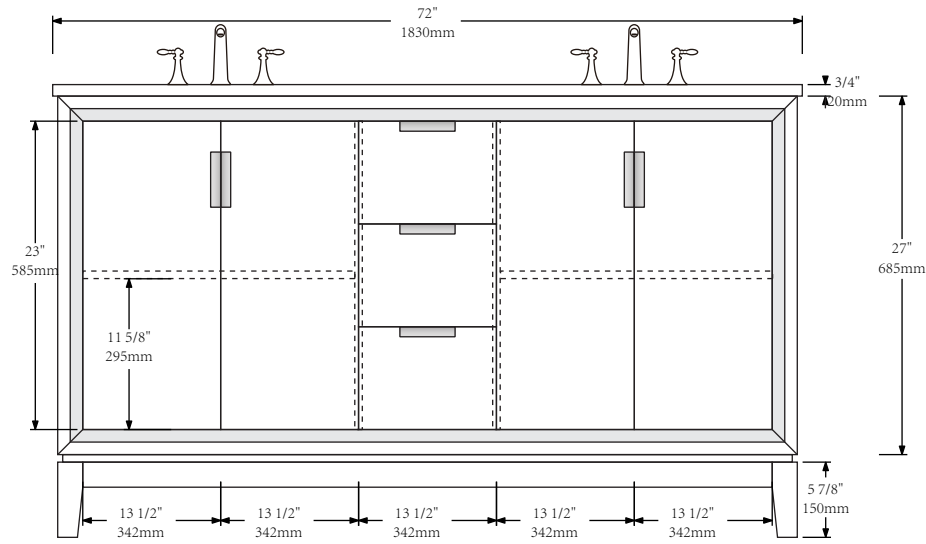
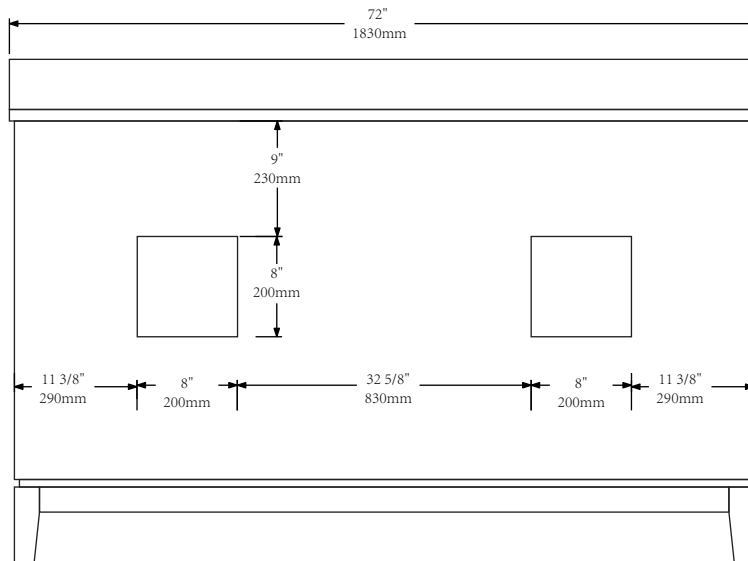




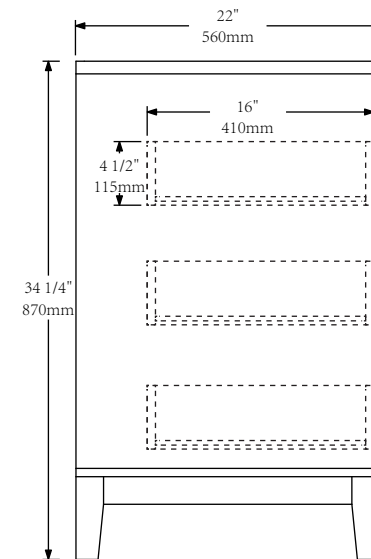
MODEL: ELIZABETH72



FRONT VIEW



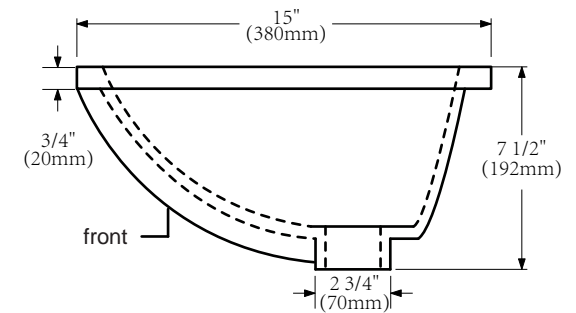
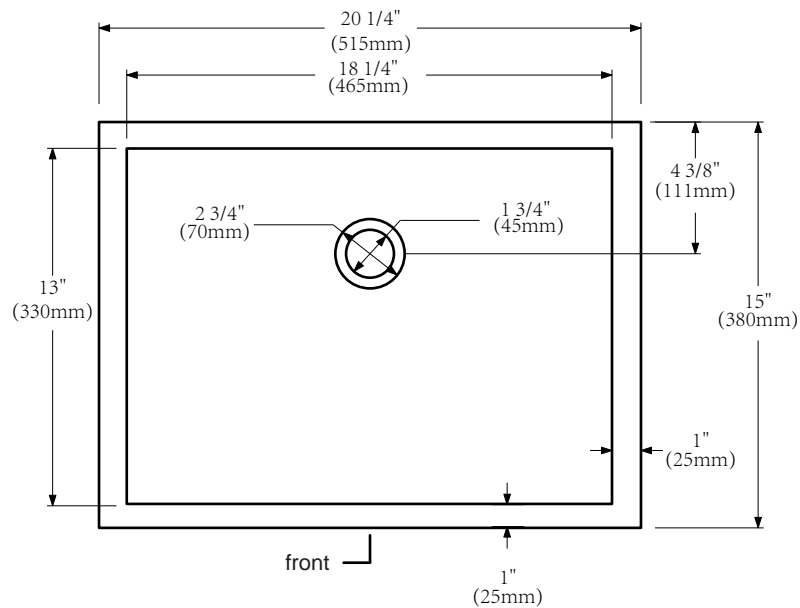
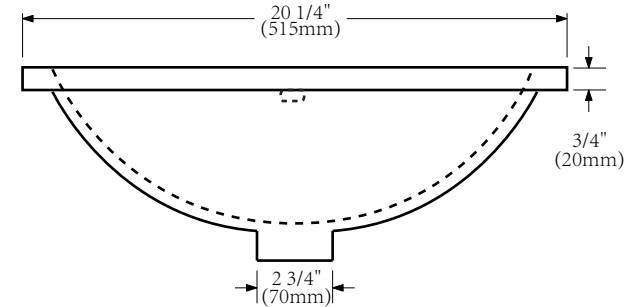
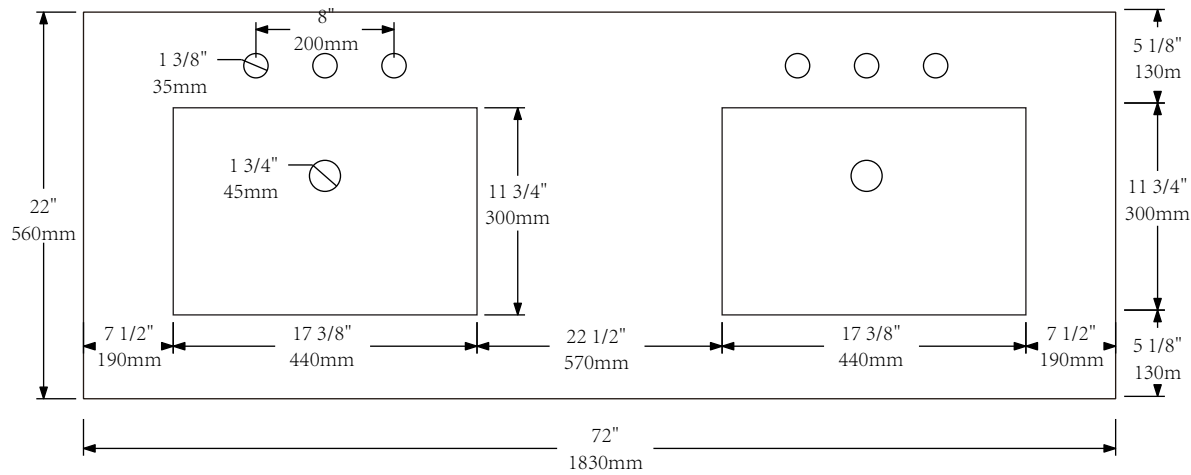
BACK VIEW



SIDE VIEW



# MODEL: ELIZABETH72





MODEL: F2-0012

