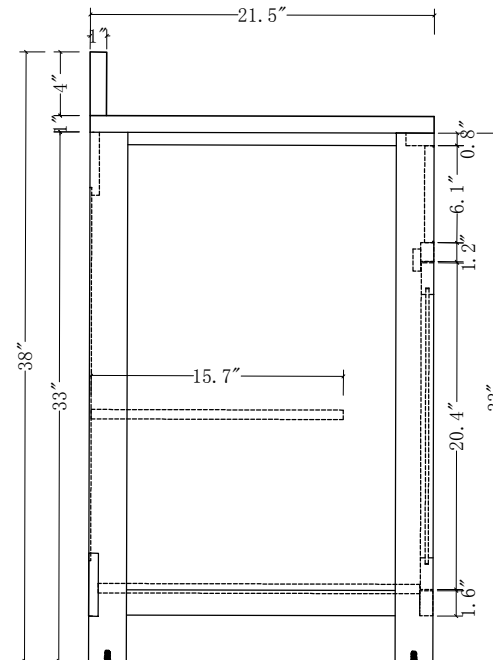
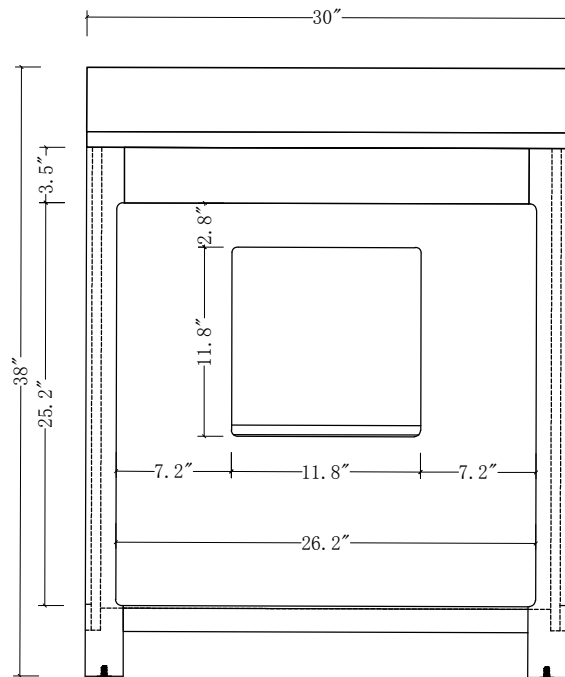
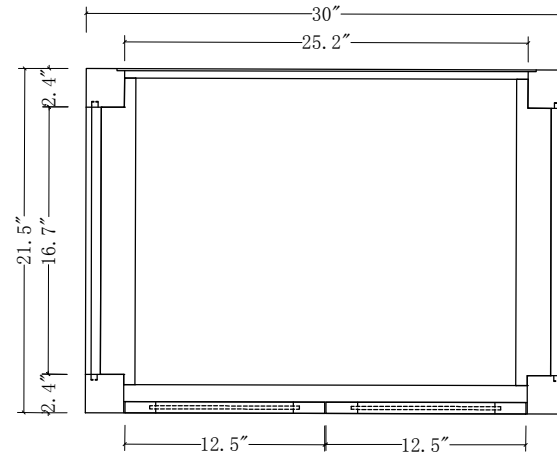
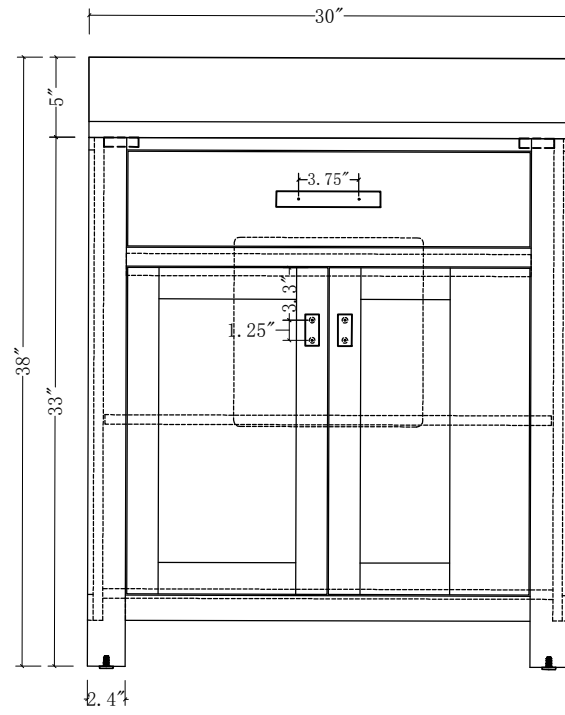


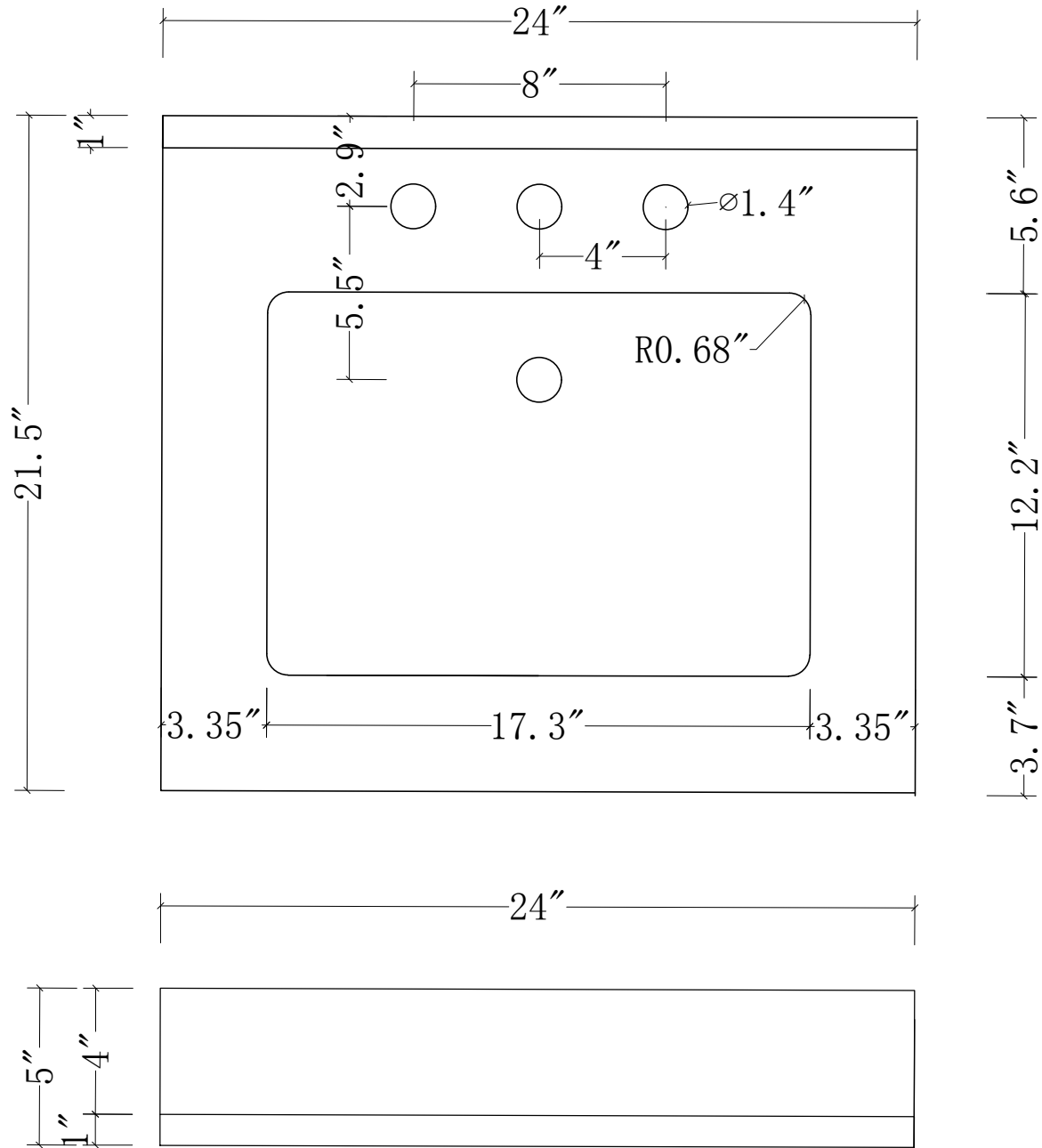


MODEL: MADISON30



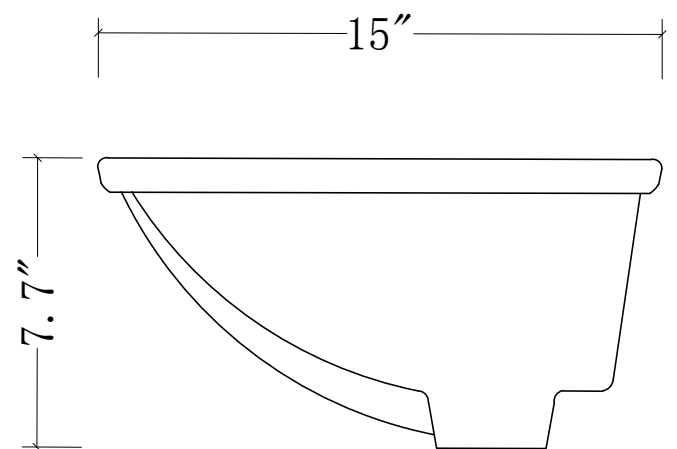
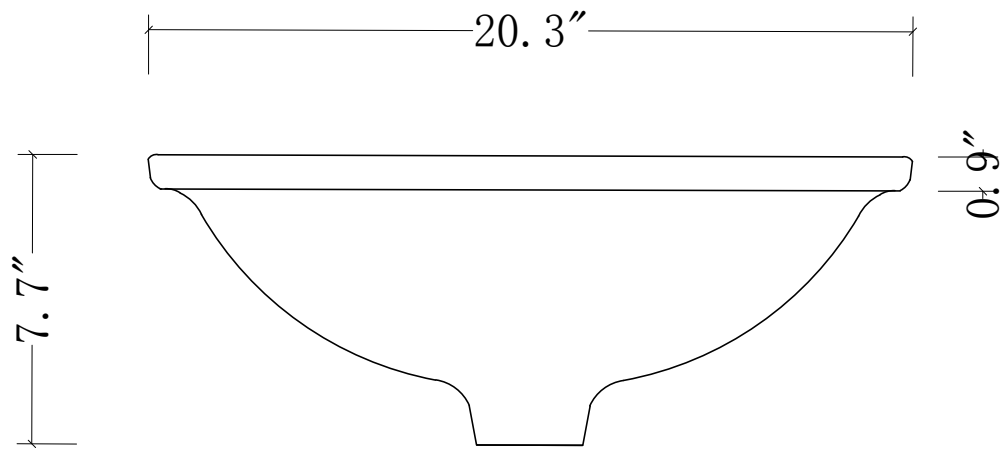
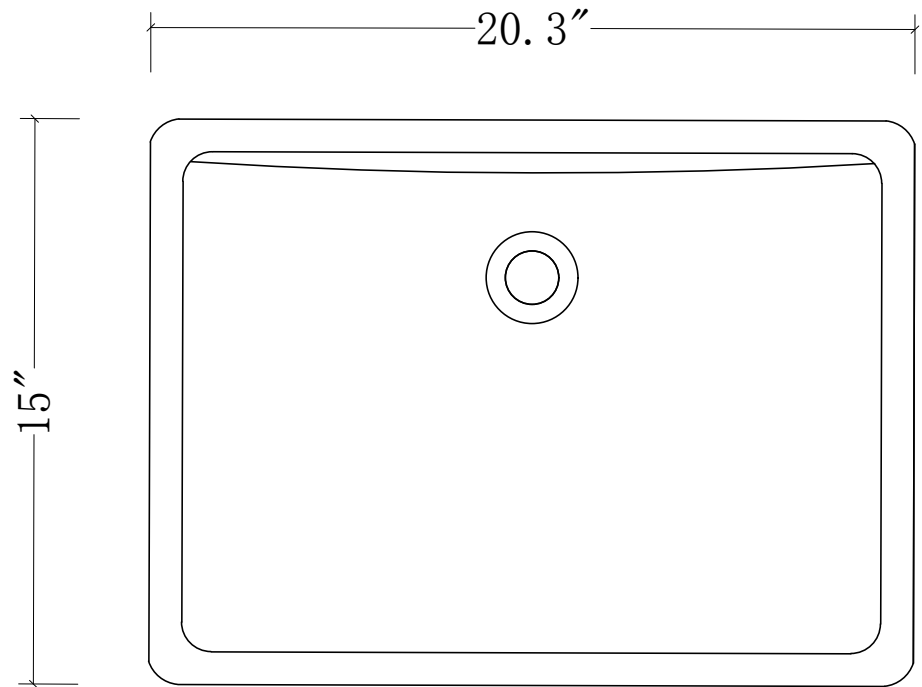


MODEL: MADISON30



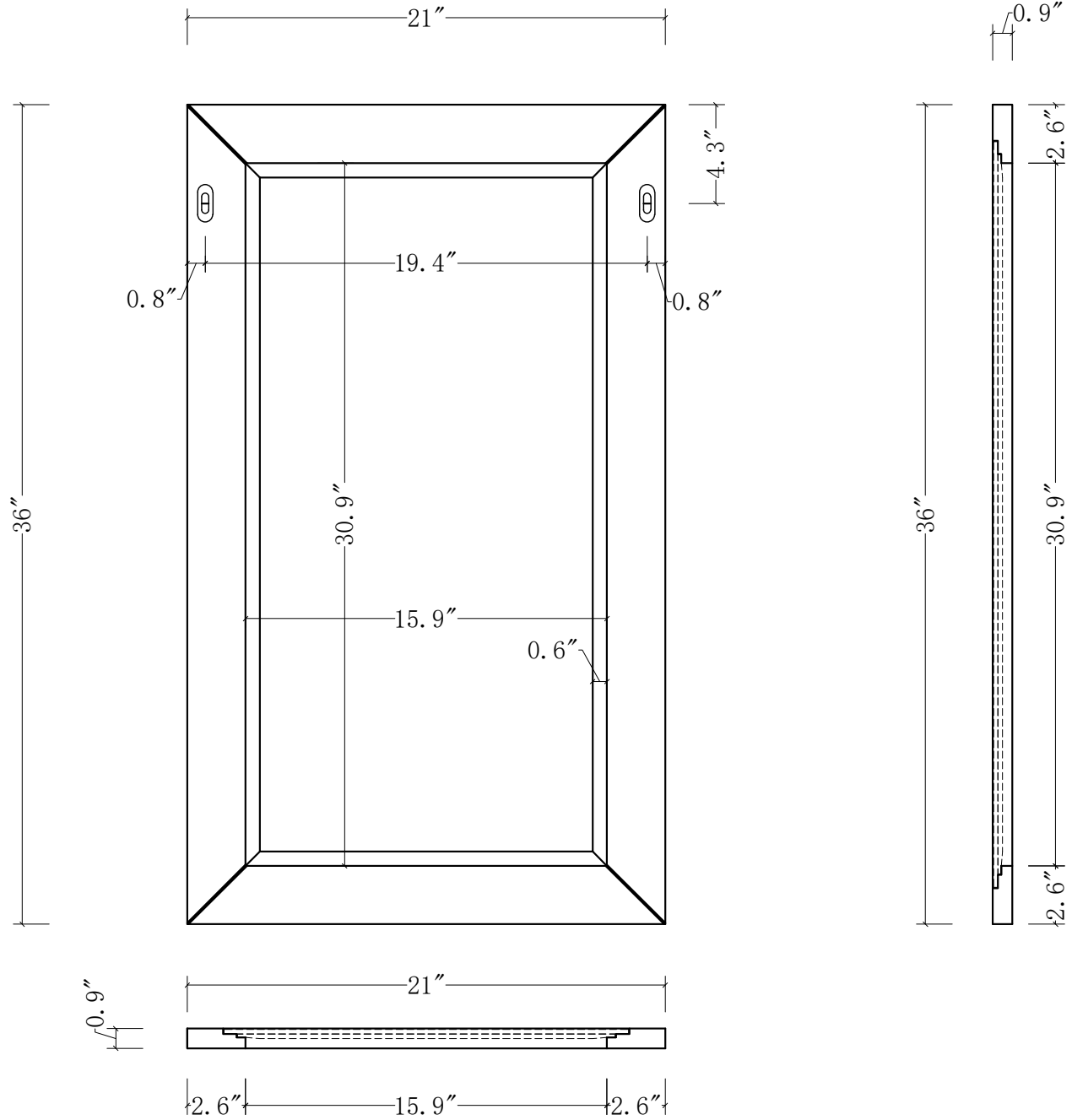


MODEL: MADISON30





MODEL: RET-M-2136





MODEL: F2-0013

