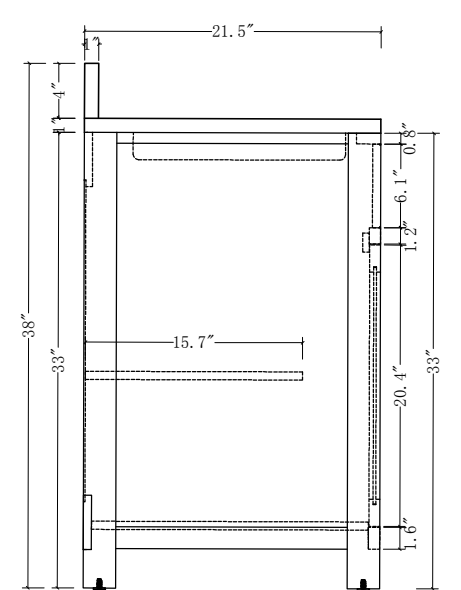
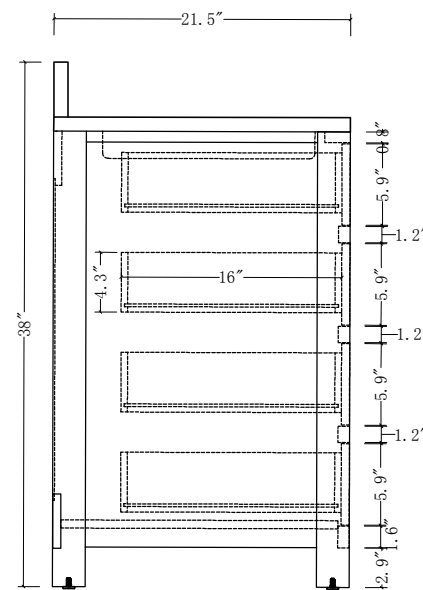
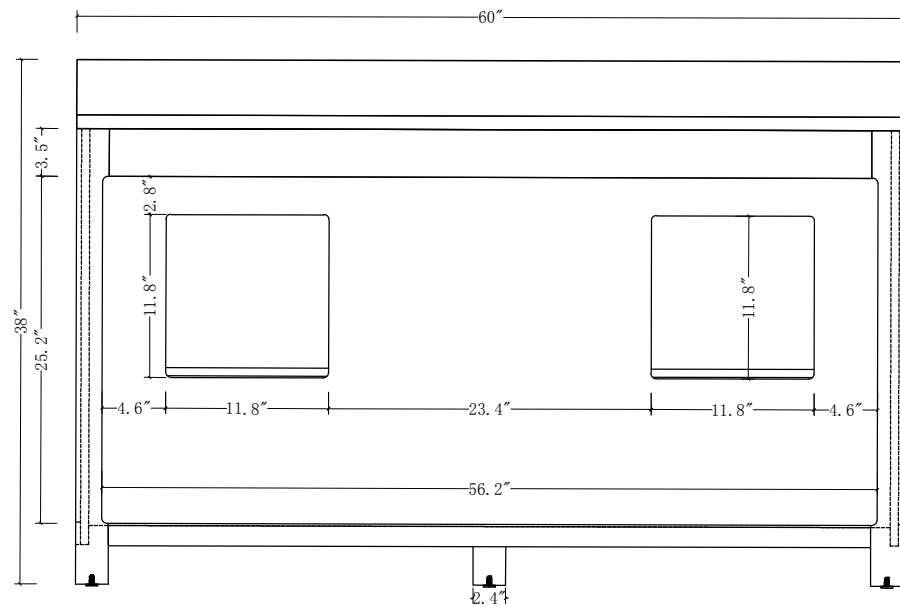
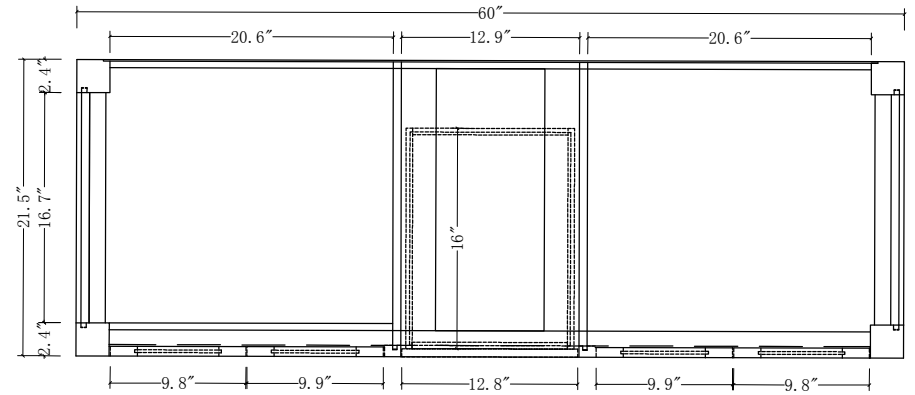
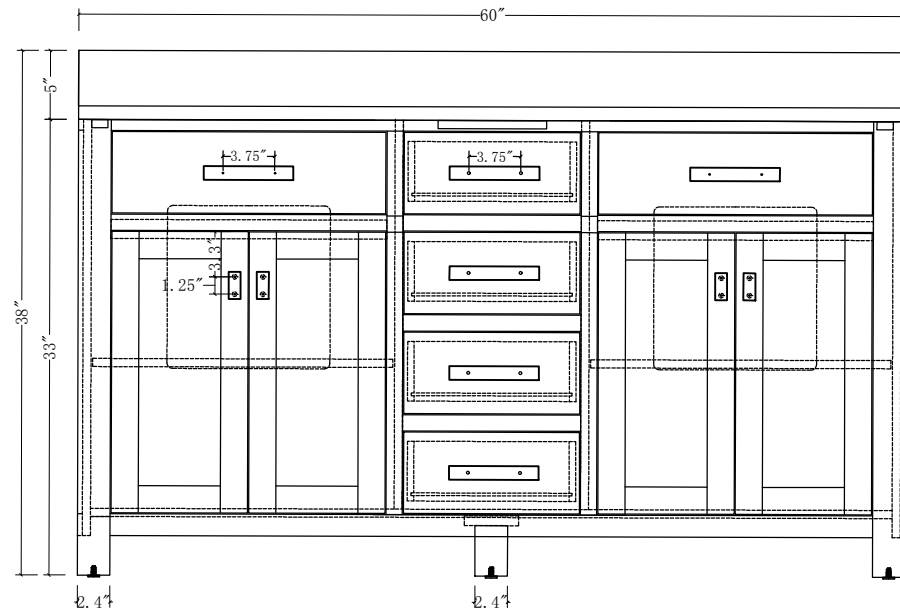


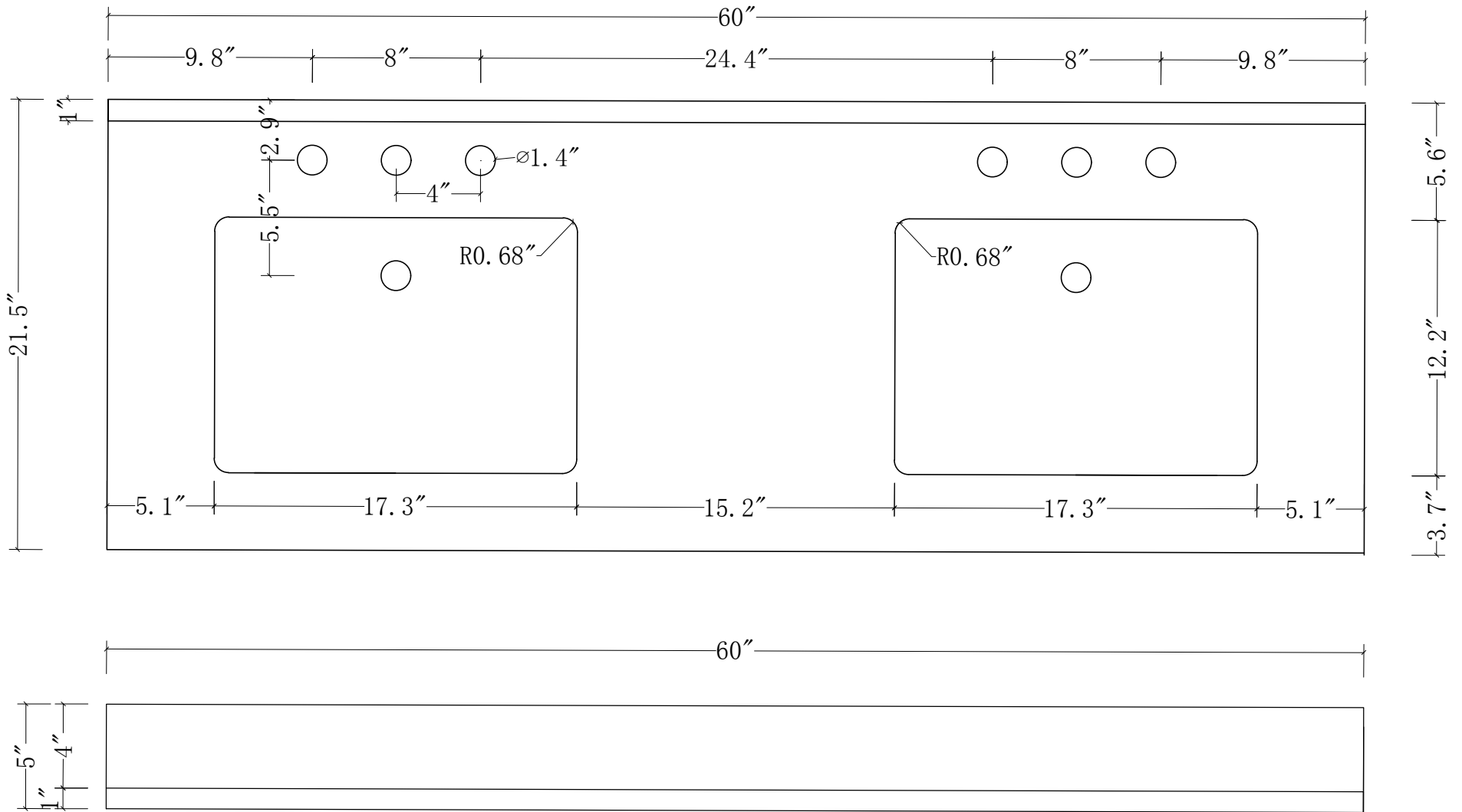


MODEL: MADISON60



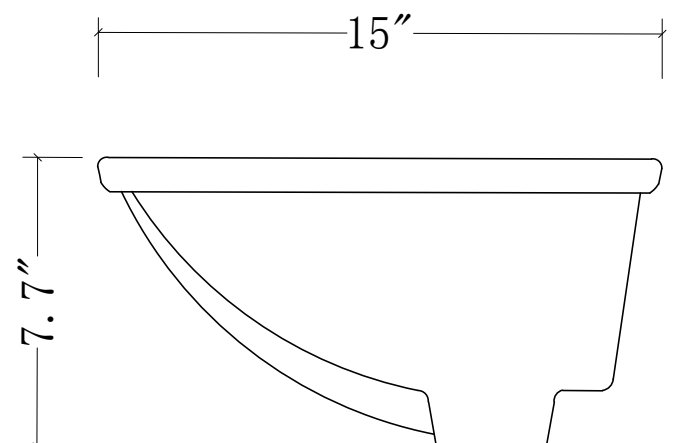
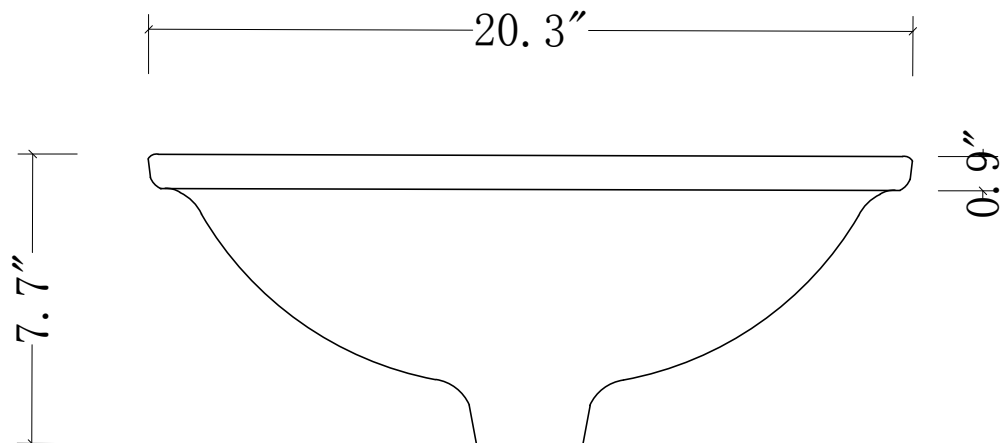
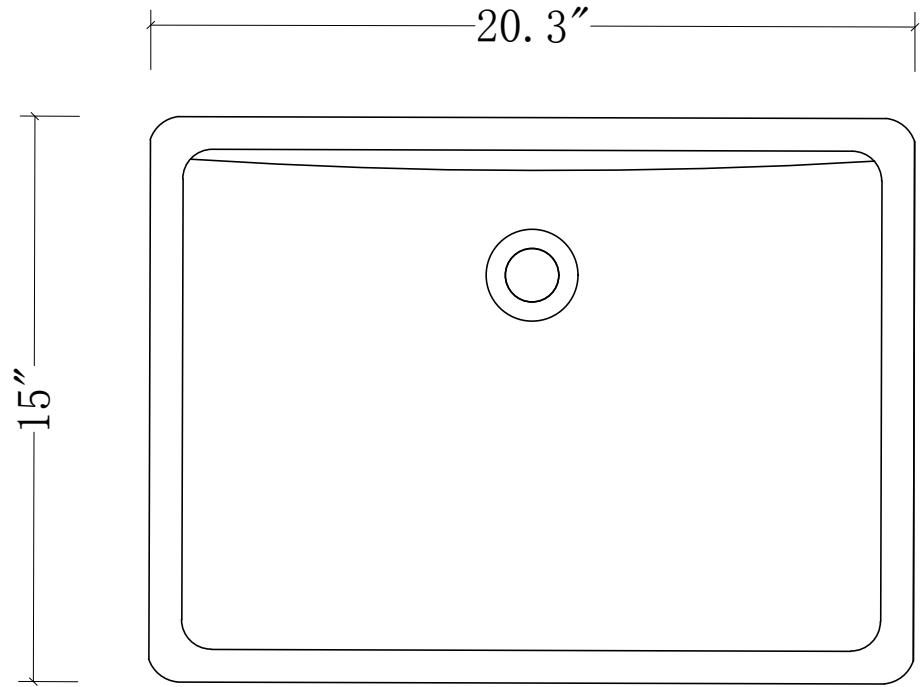


MODEL: MADISON60





MODEL: MADISON60





MODEL: F2-0013

