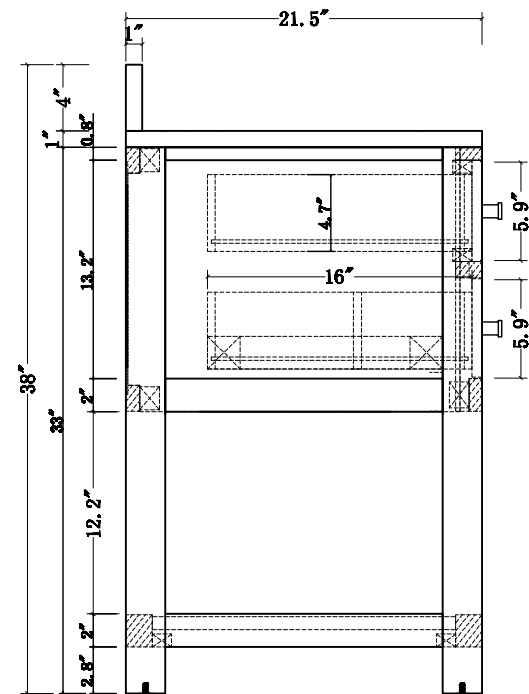
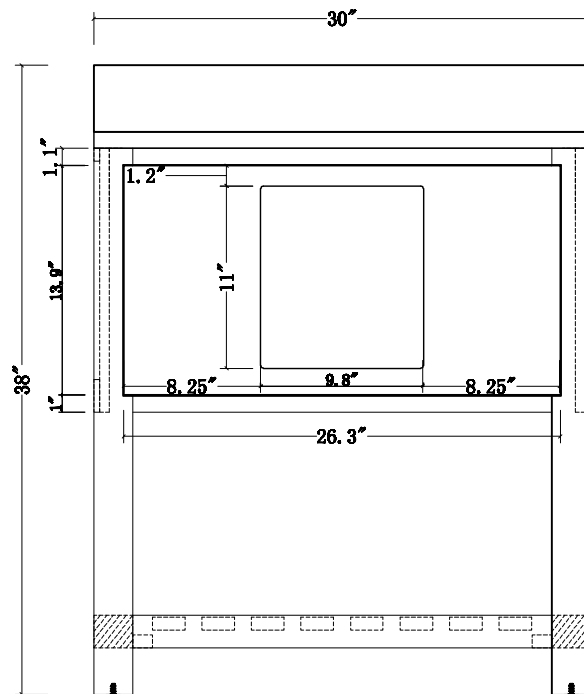
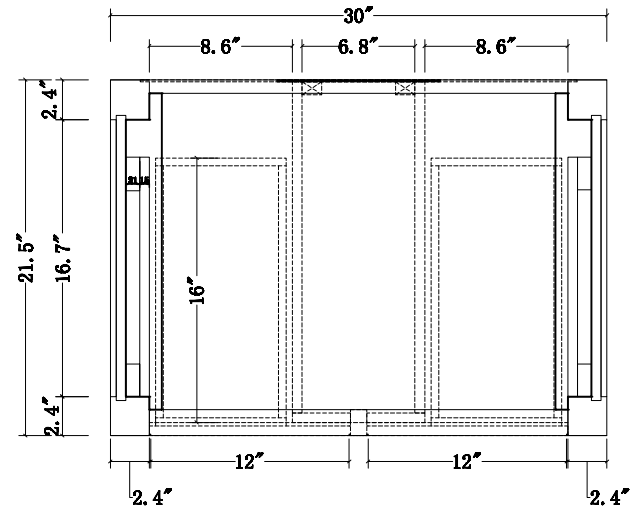
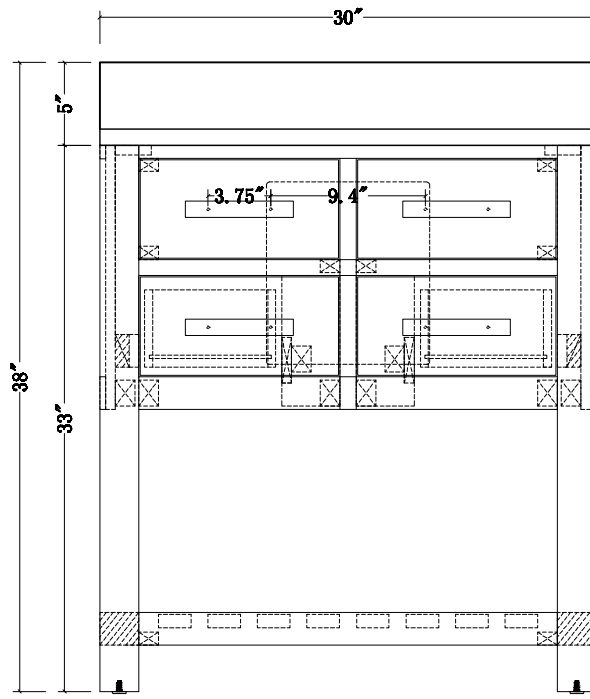


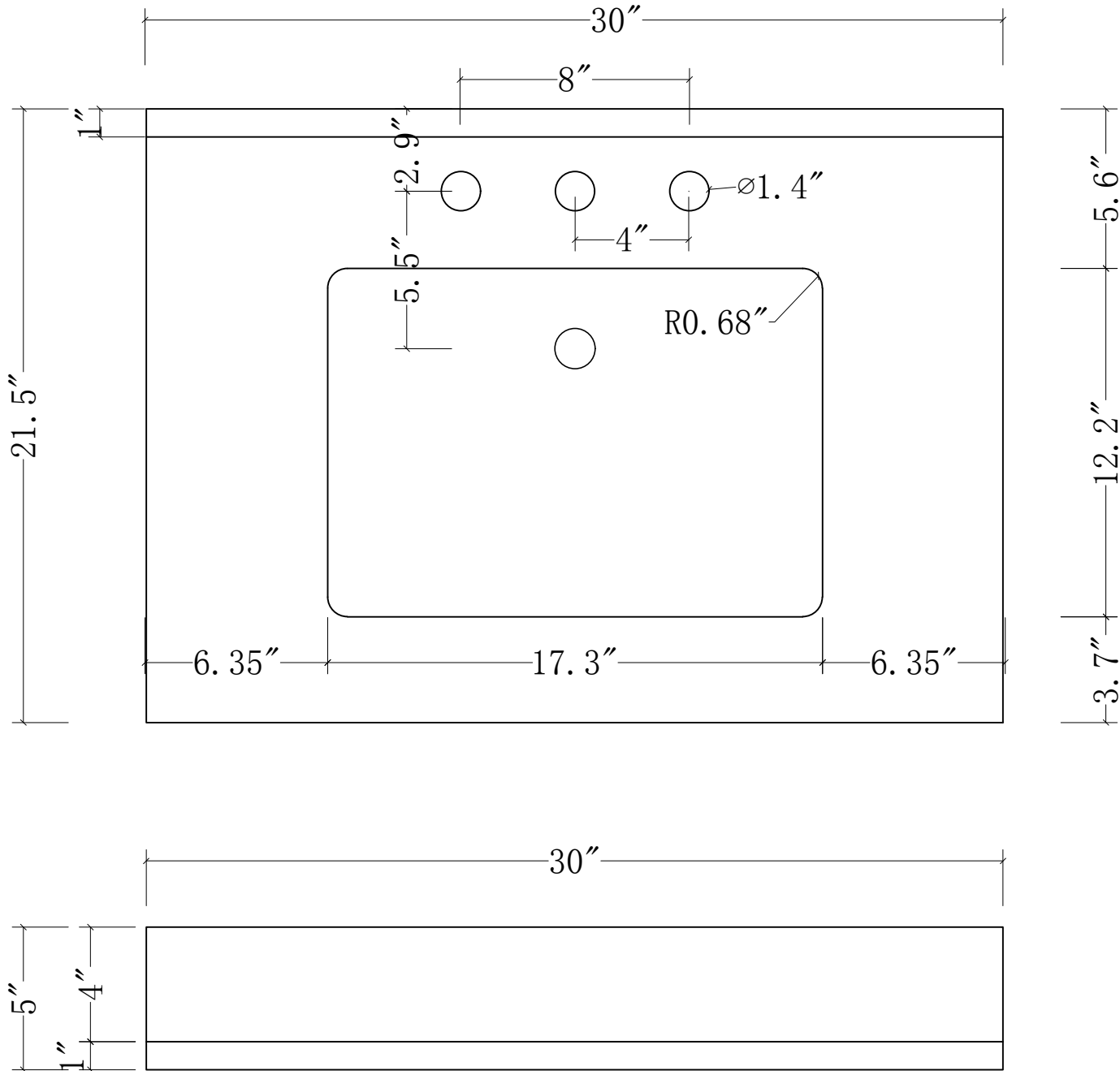


MODEL: MADALYN30



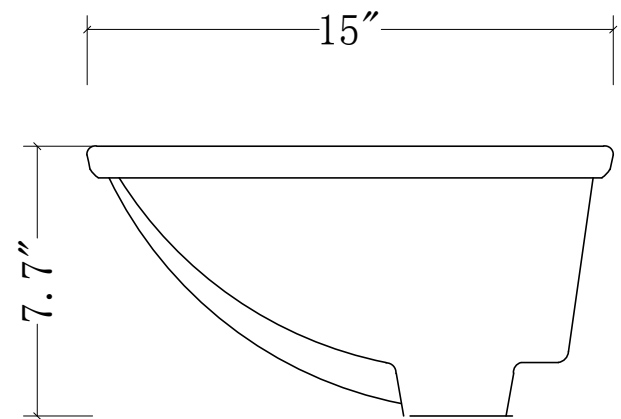
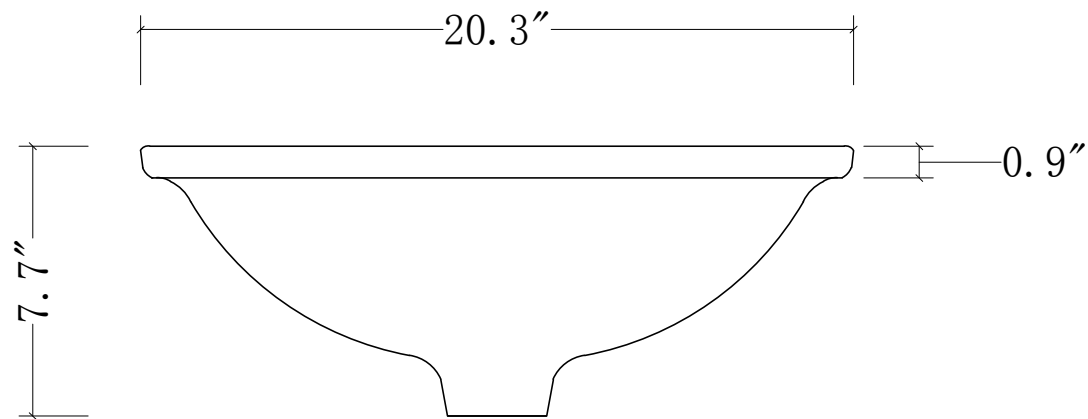
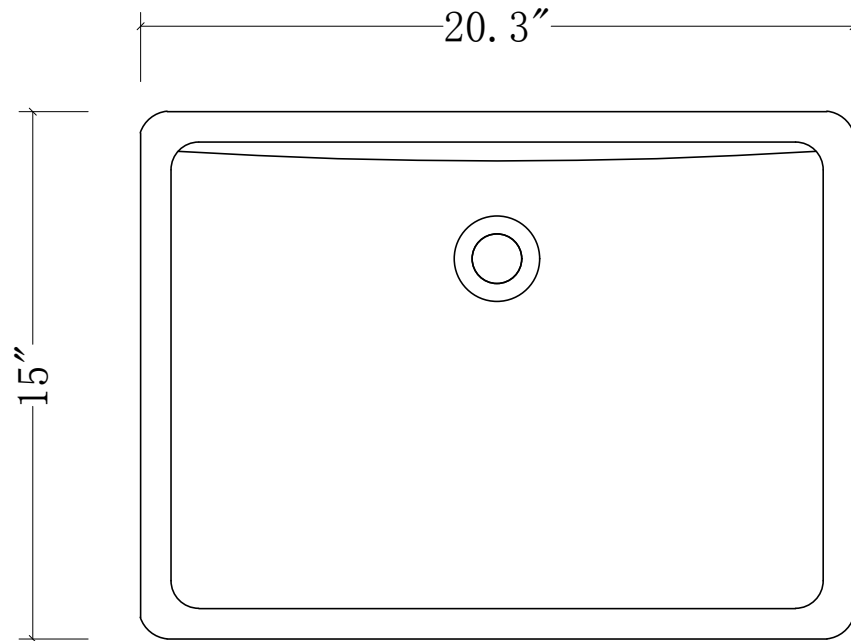


MODEL: MADALYN30





MODEL: MADALYN30





MODEL: F2-0013

