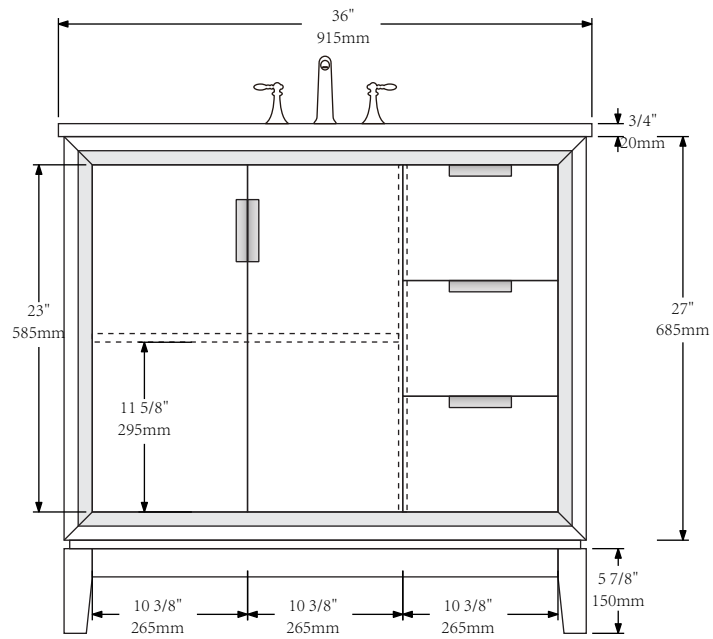
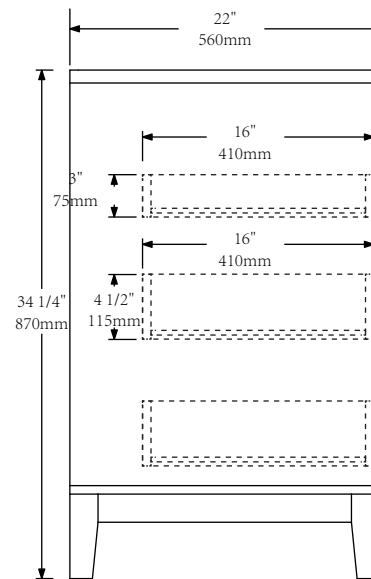




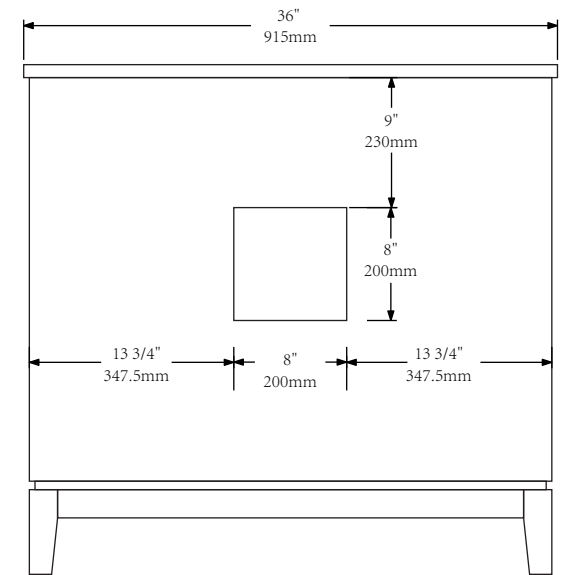
**MODEL: ELIZABETH36**



**FRONT VIEW**



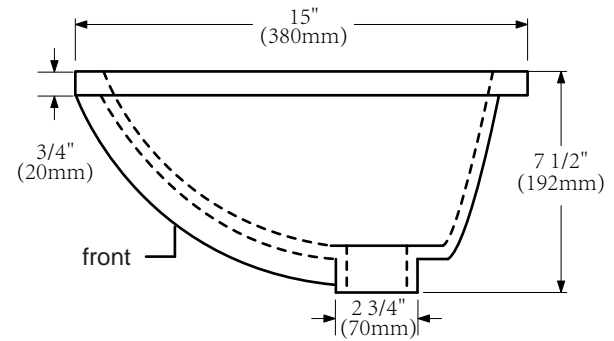
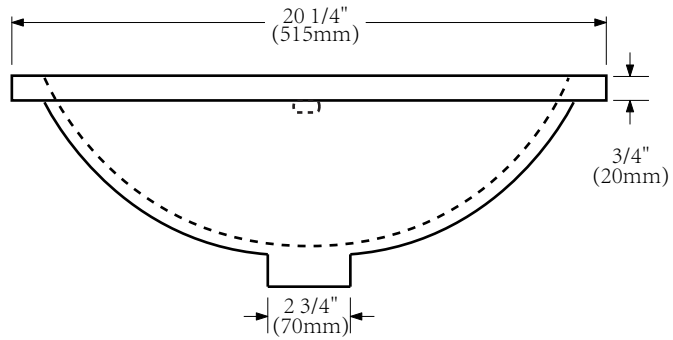
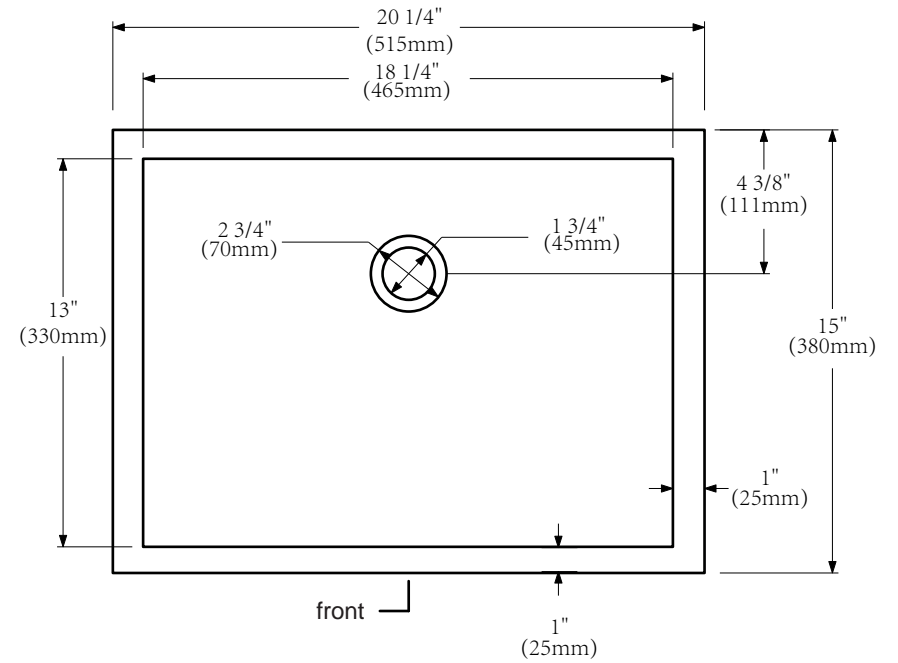
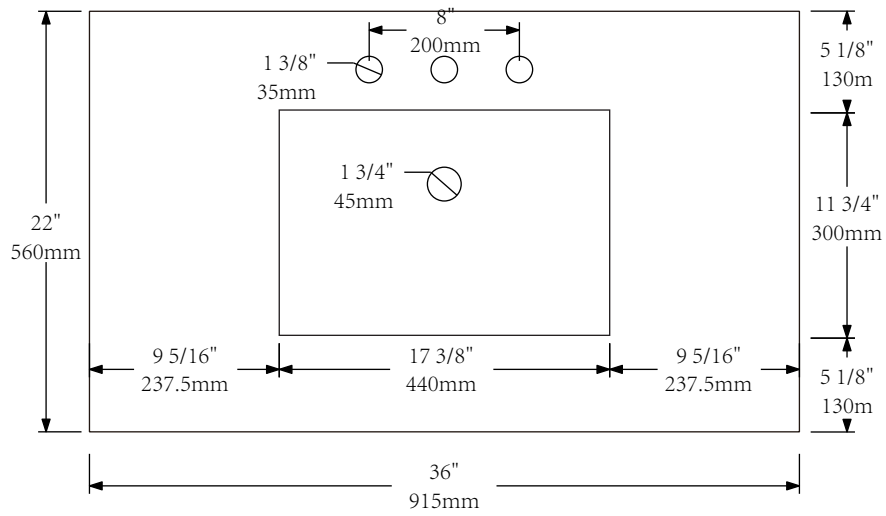
**SIDE VIEW**



**BACK VIEW**

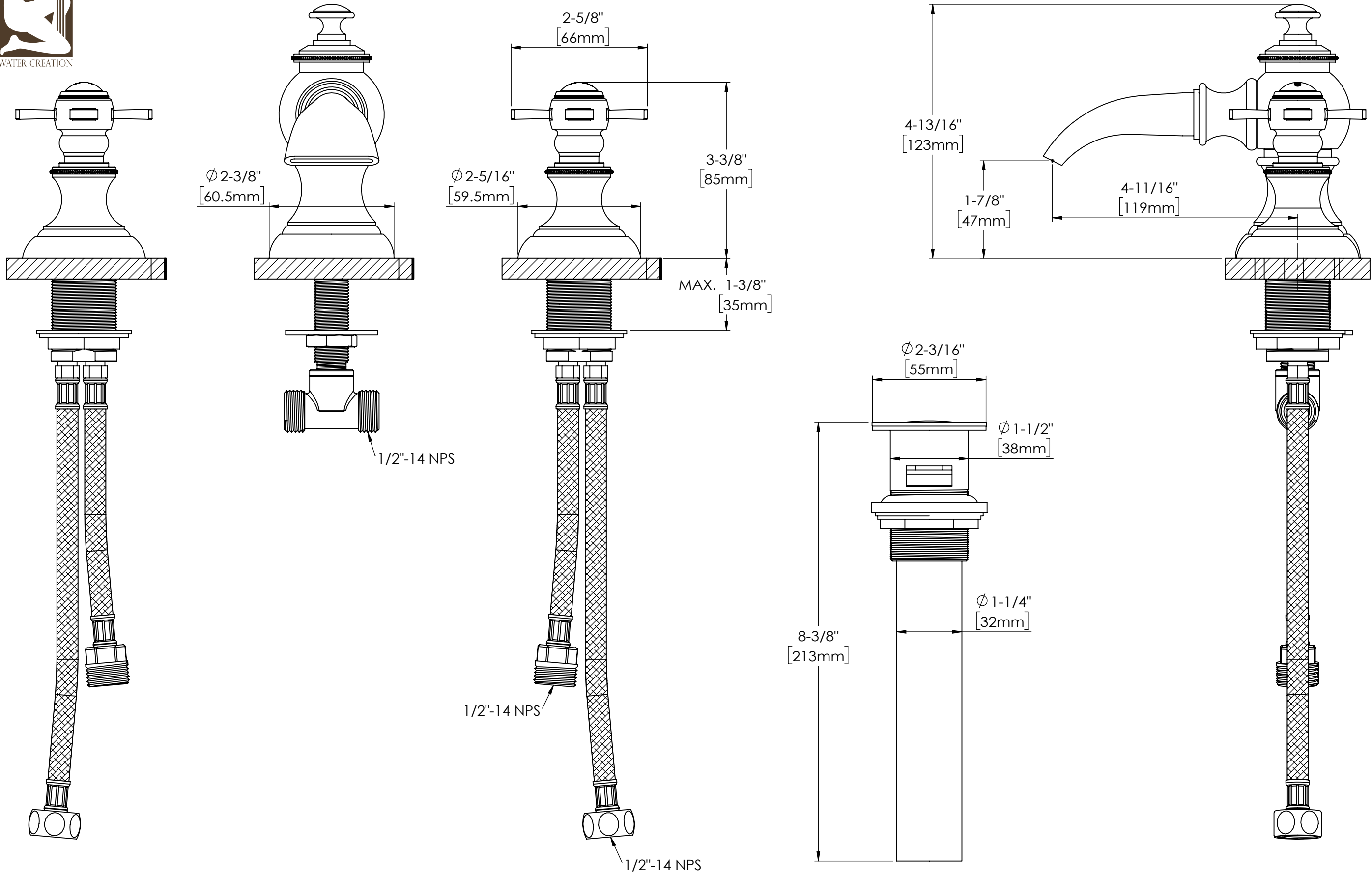


**MODEL: ELIZABETH36**





MODEL: F2-0013





MODEL: RET-M-2136

