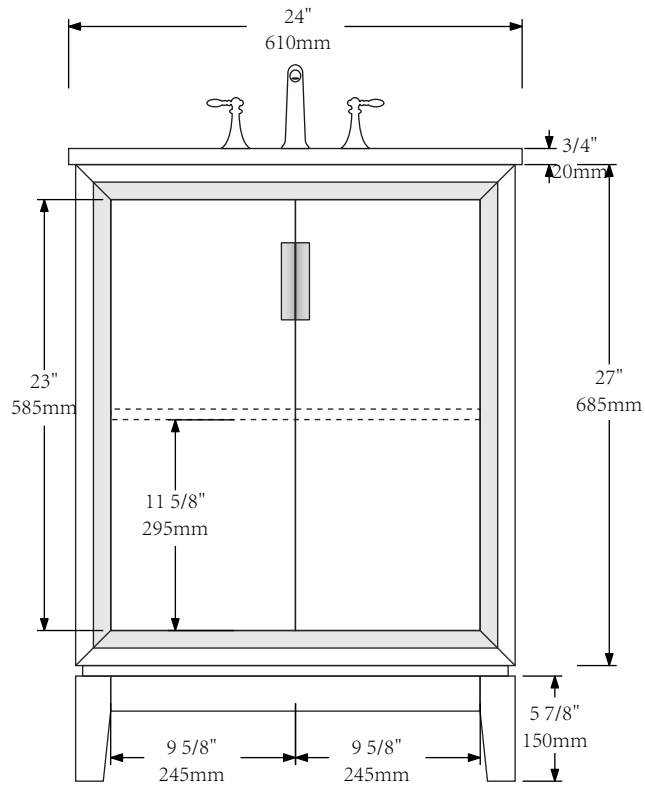
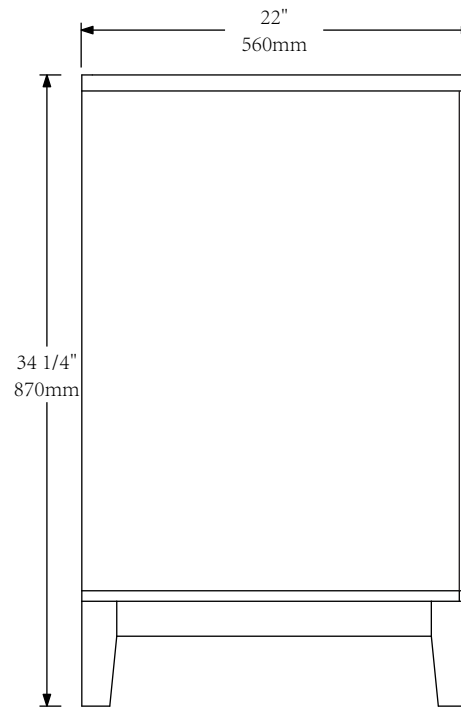




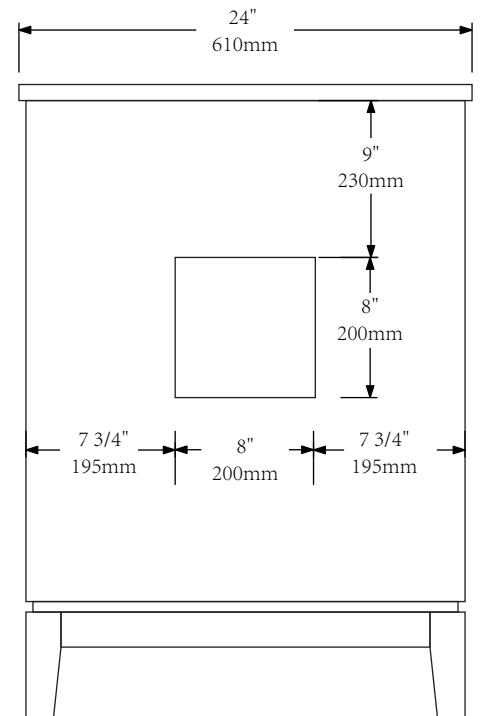
MODEL: ELIZABETH24



FRONT VIEW



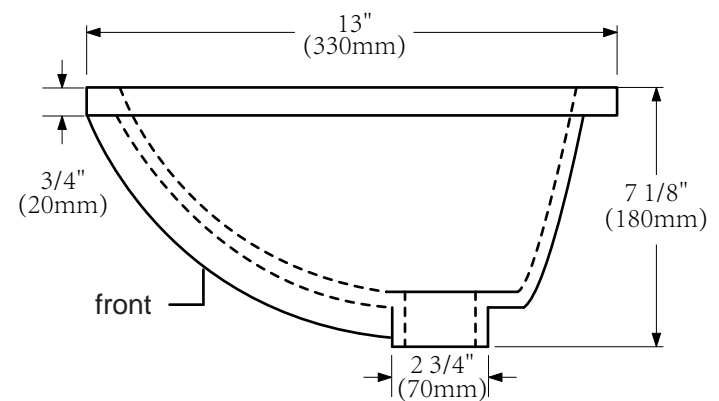
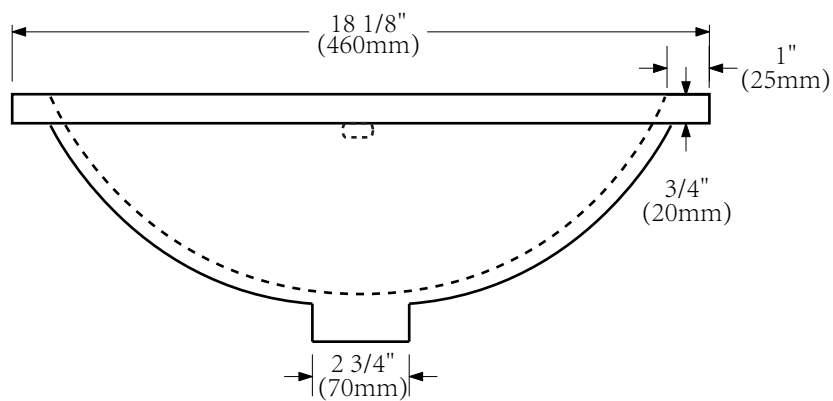
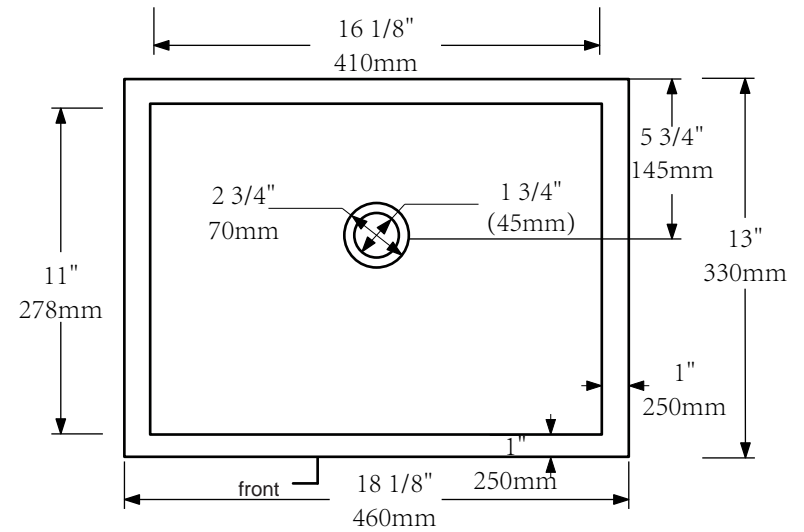
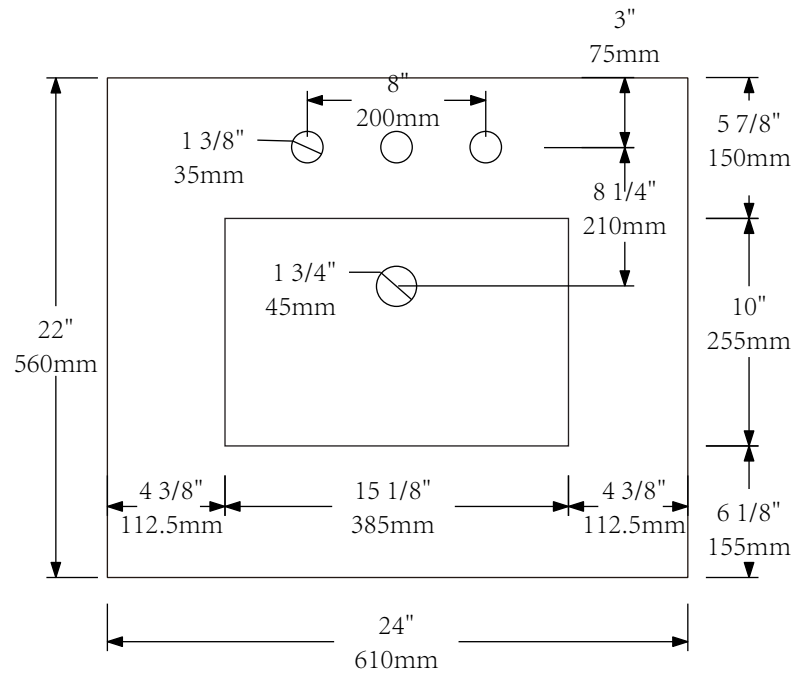
SIDE VIEW



BACK VIEW



# MODEL: ELIZABETH24





MODEL: F2-0013

