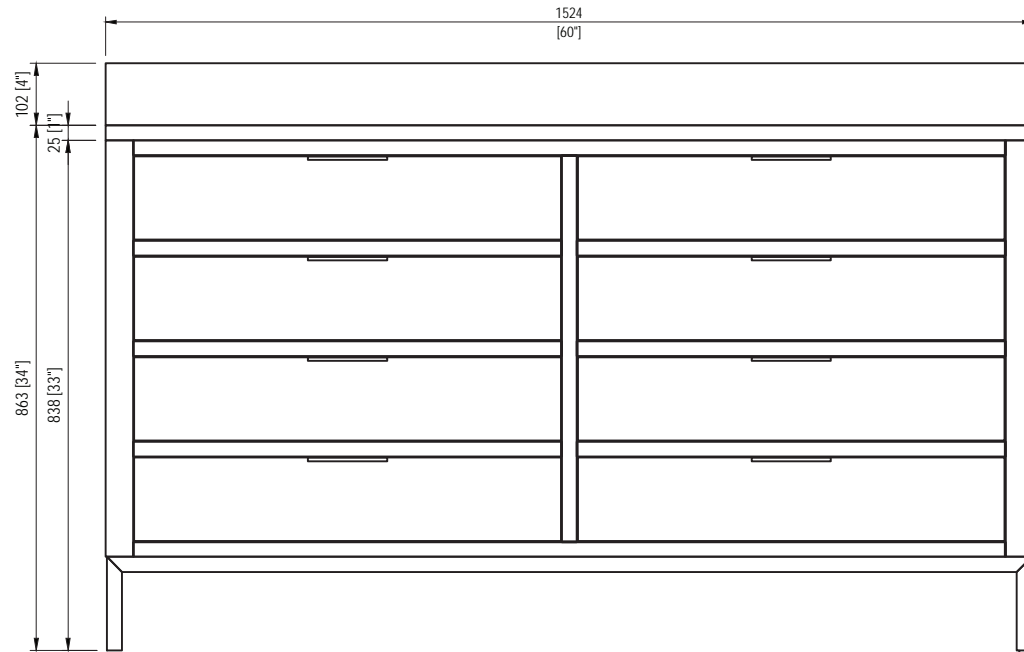
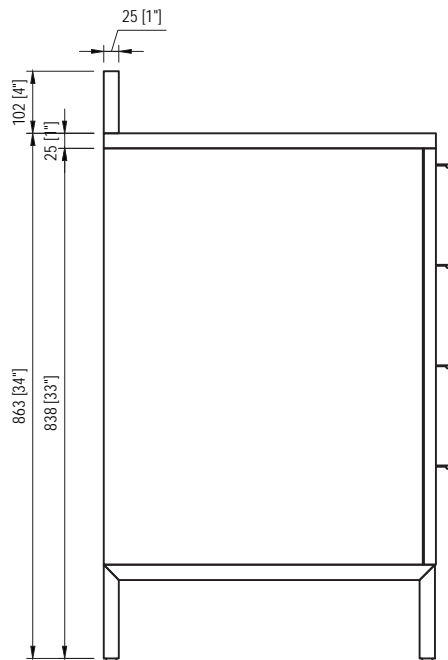
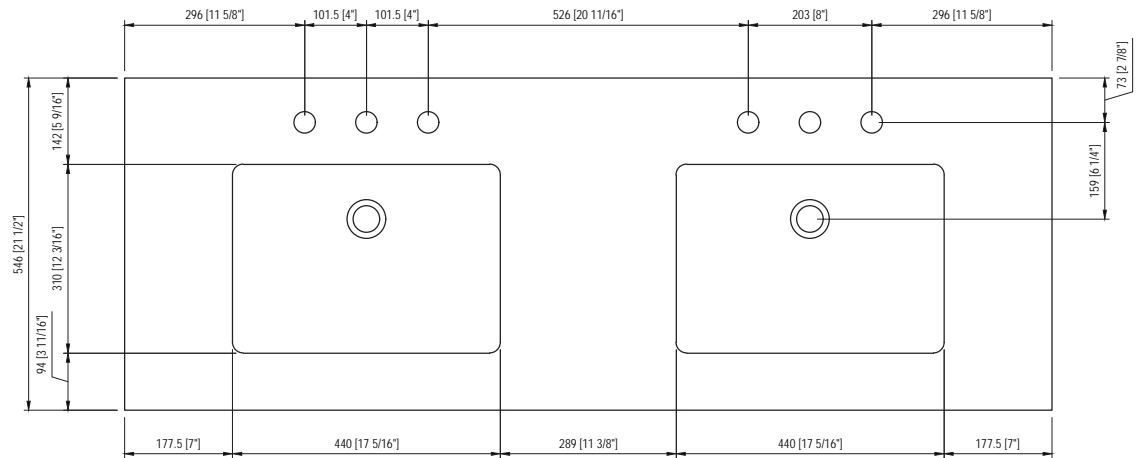


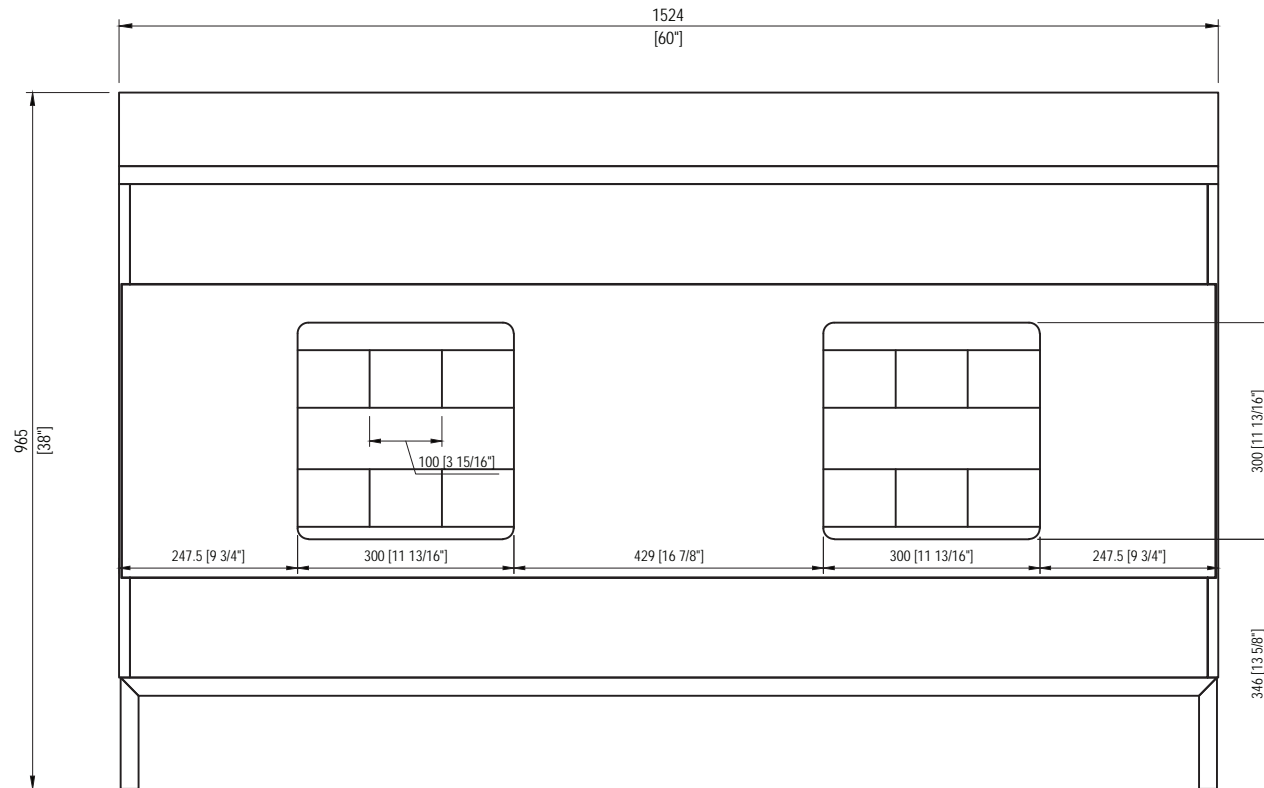


# MODEL: BRISTOL 60



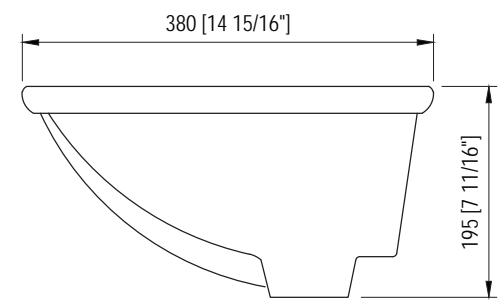
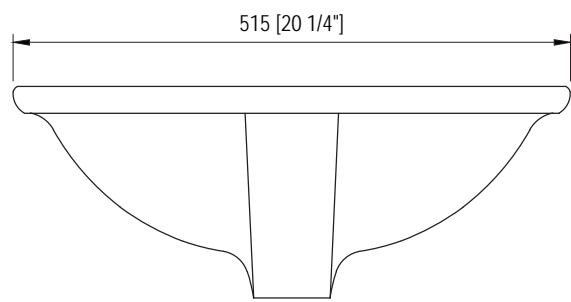
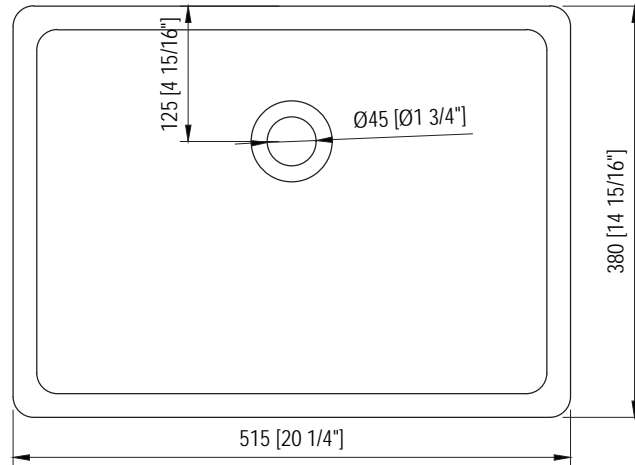


# MODEL: BRISTOL 60



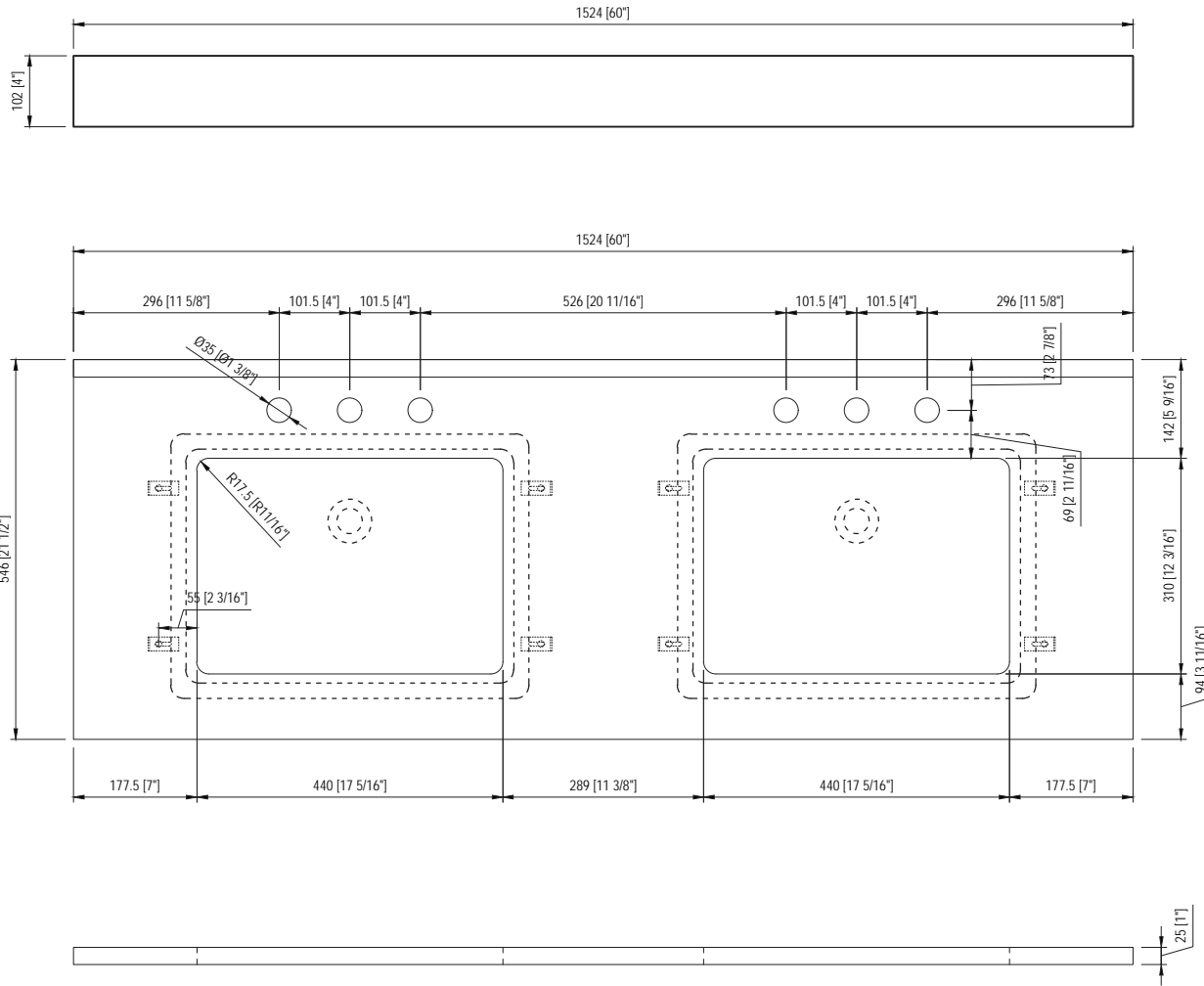


MODEL: BRISTOL 60



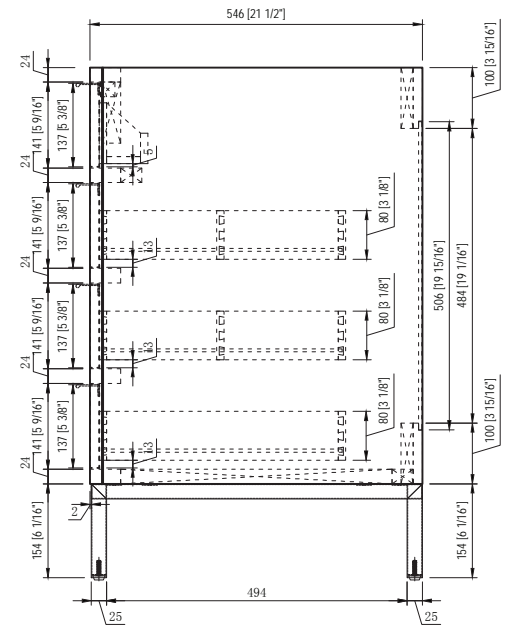
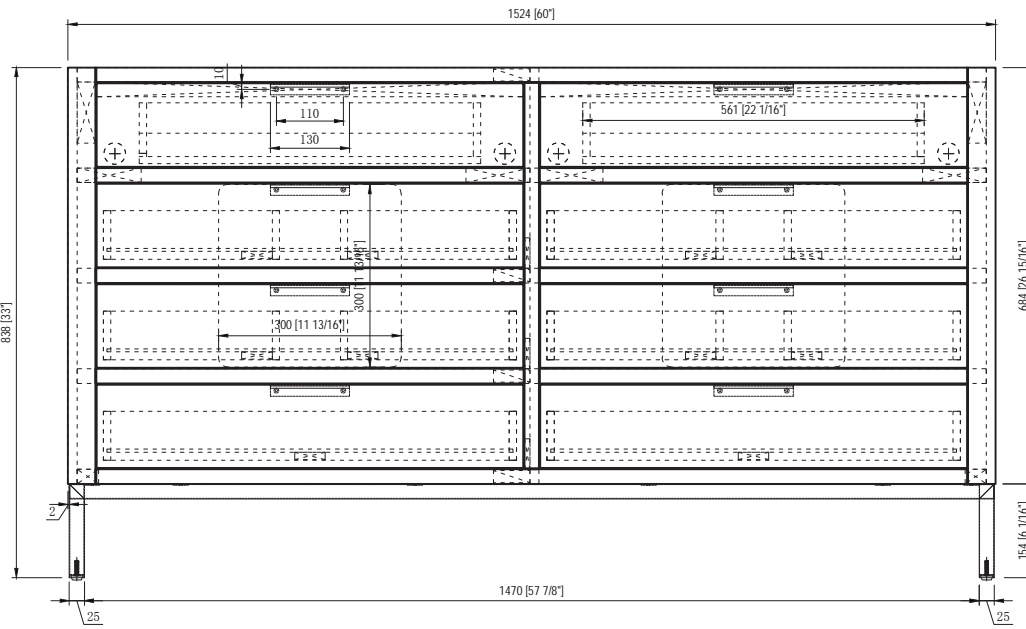
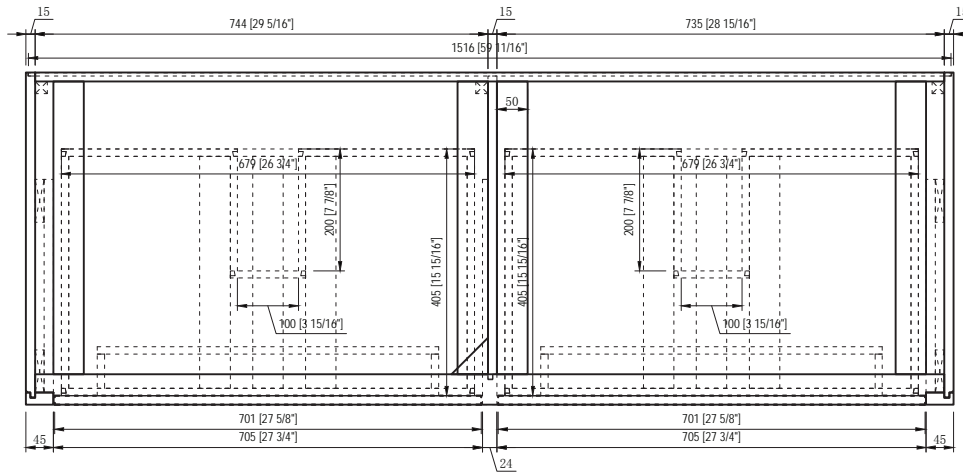


# MODEL: BRISTOL 60



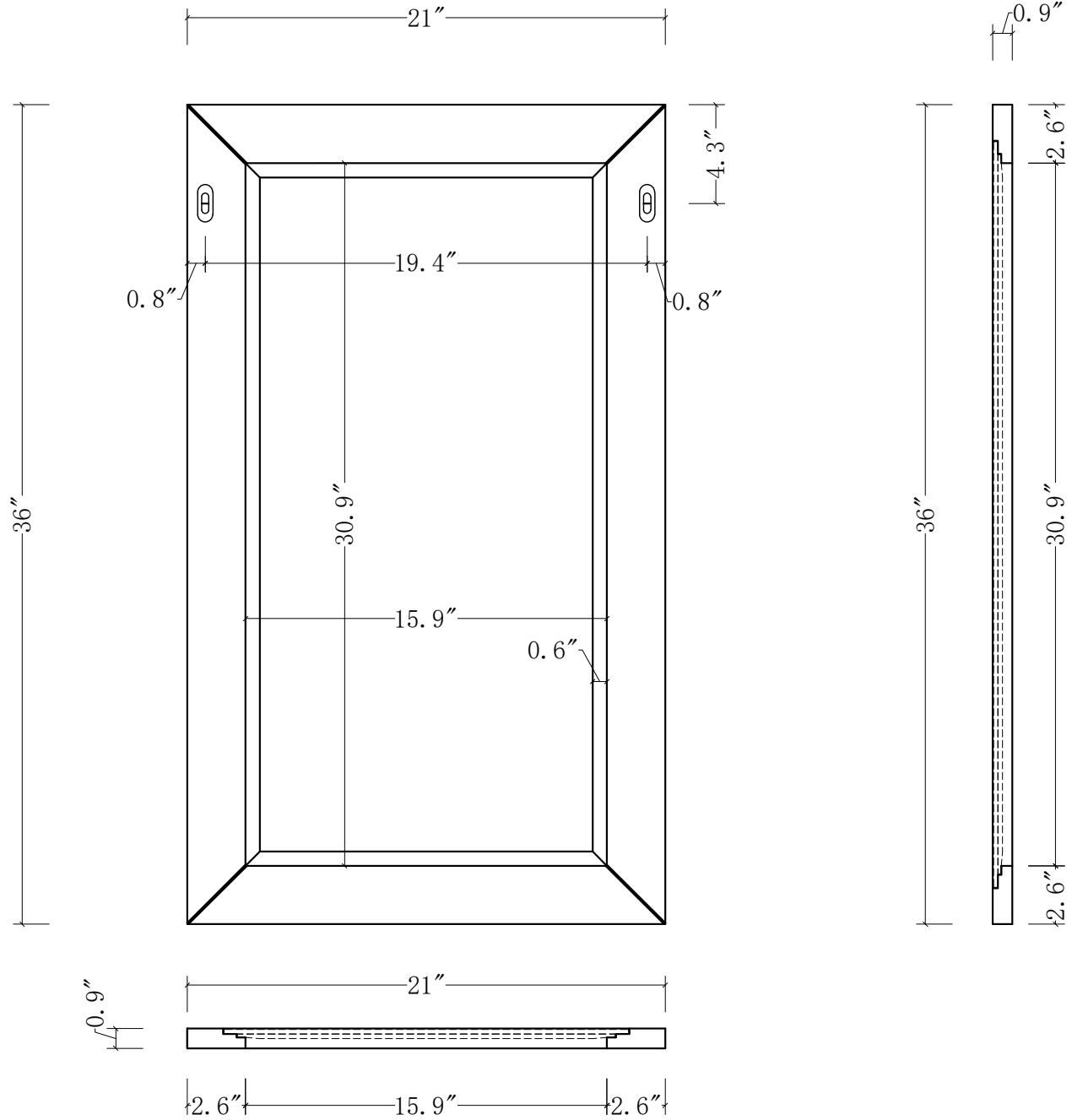


# MODEL: BRISTOL 60





MODEL: RET-M-2136





MODEL: F2-0012

