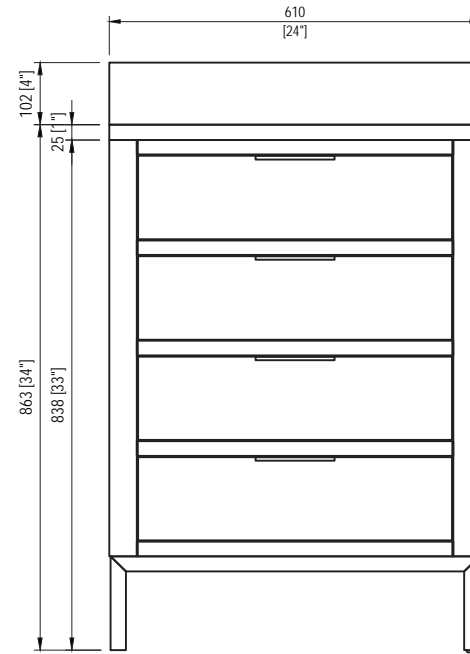
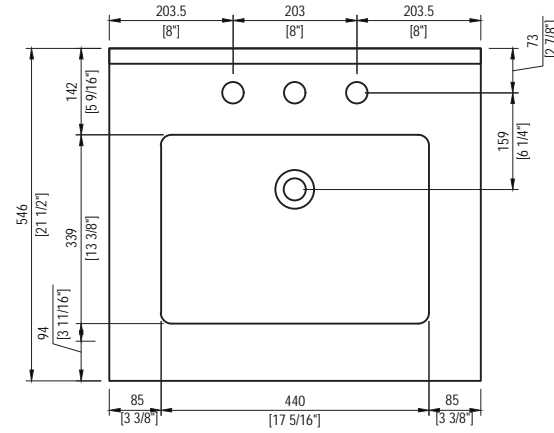
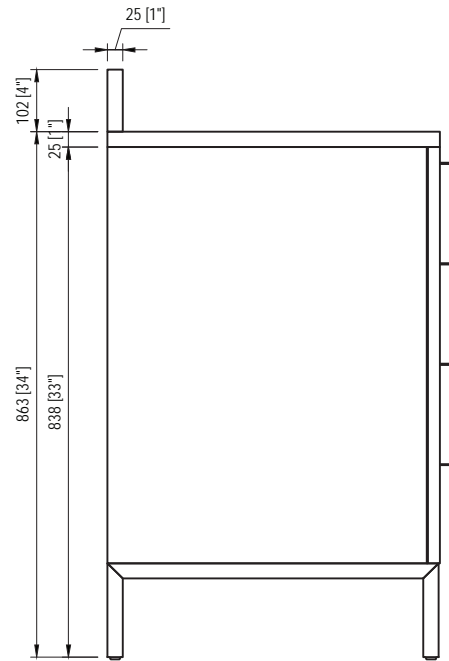


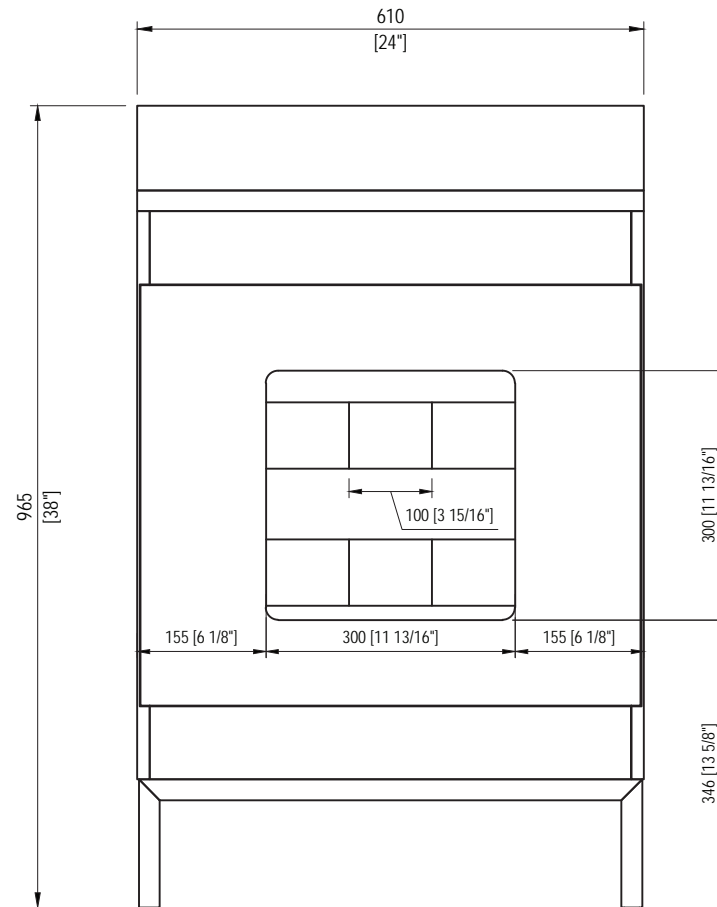


MODEL: BRISTOL 24



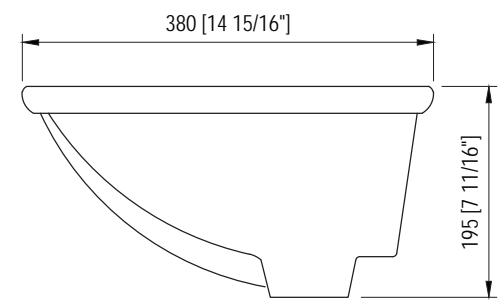
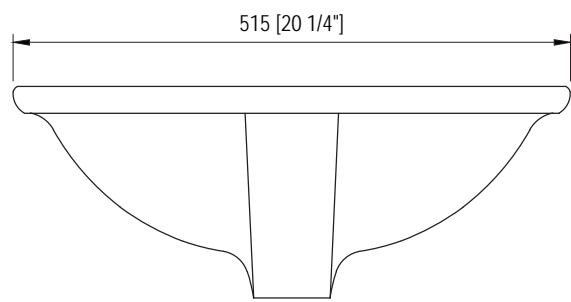
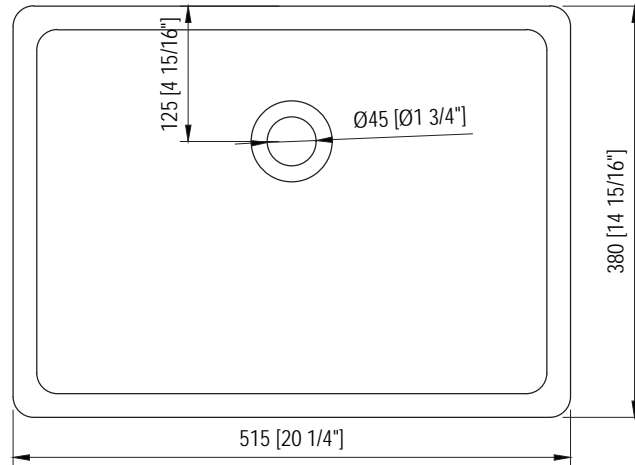


MODEL: BRISTOL 24



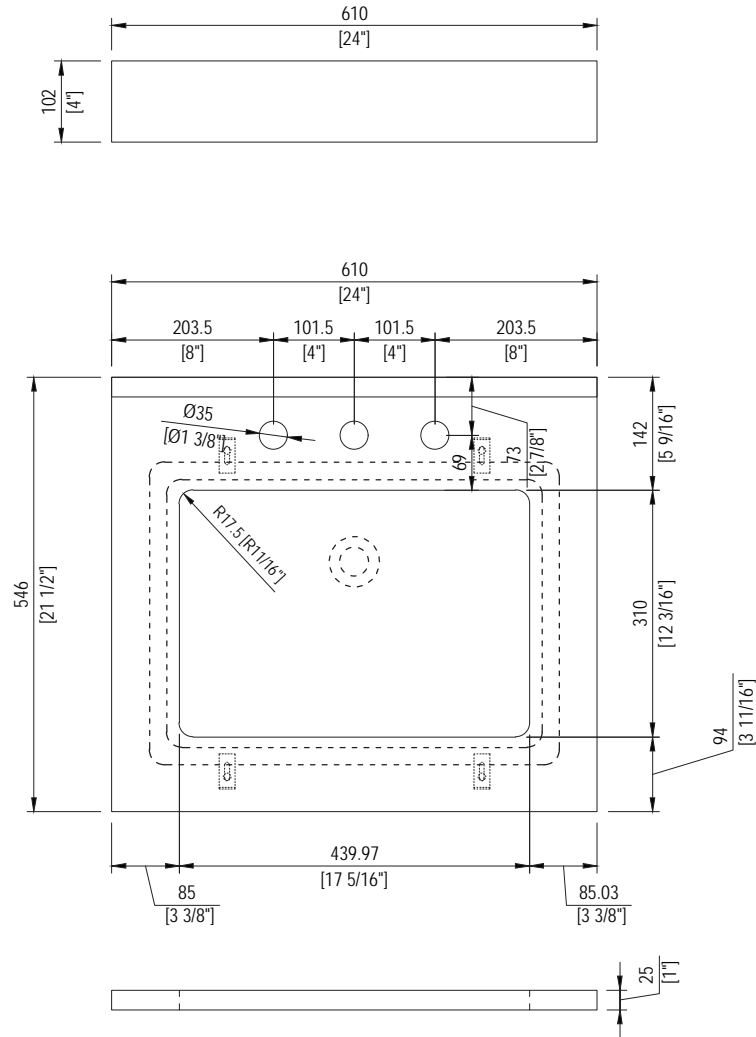


MODEL: BRISTOL 24





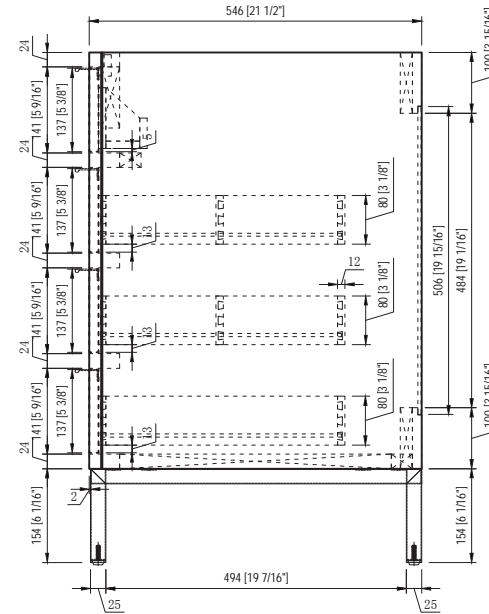
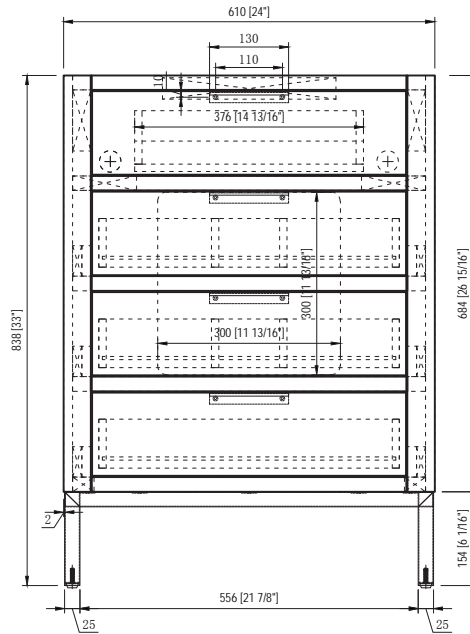
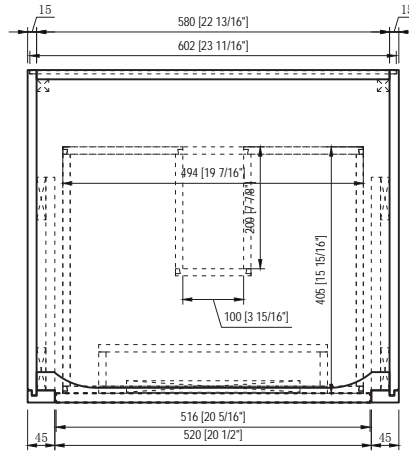
MODEL: BRISTOL 24





WATER CREATION

MODEL: BRISTOL 24





MODEL: F2-0012

