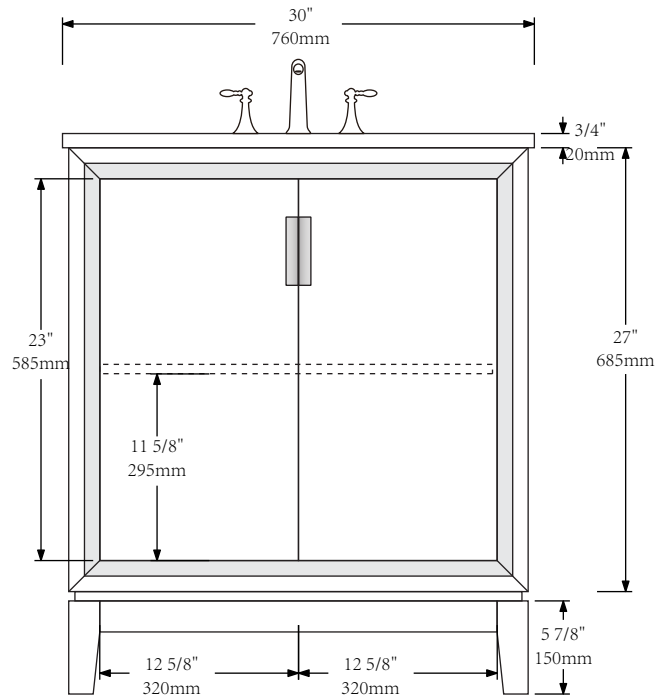
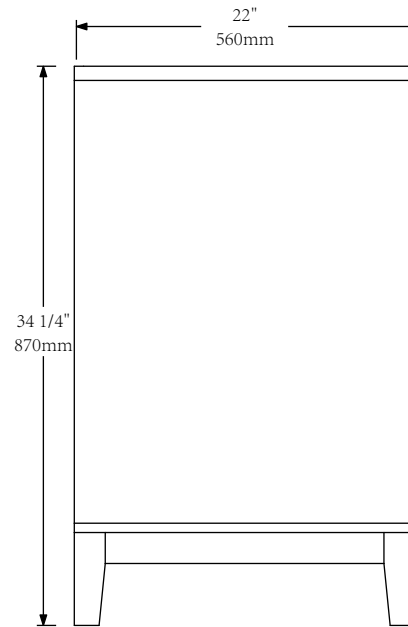




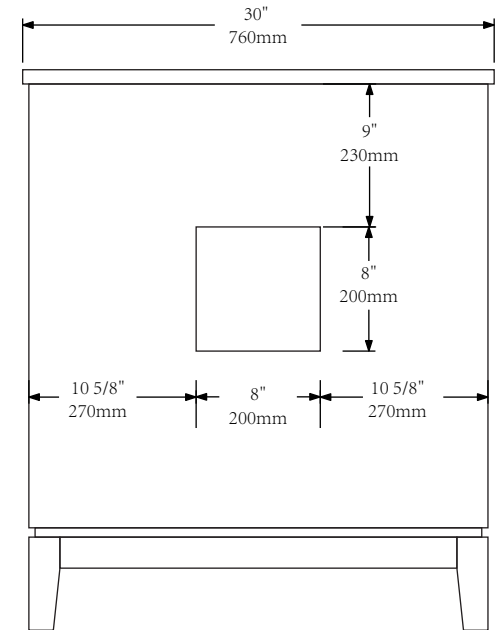
MODEL: ELIZABETH30



FRONT VIEW



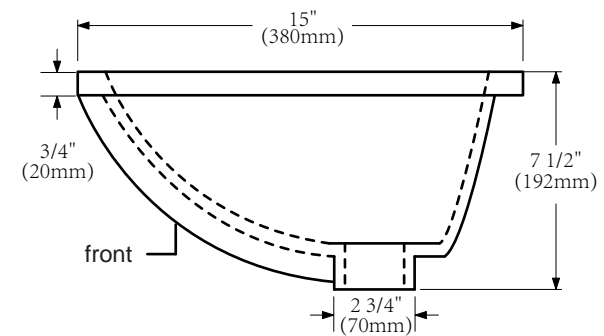
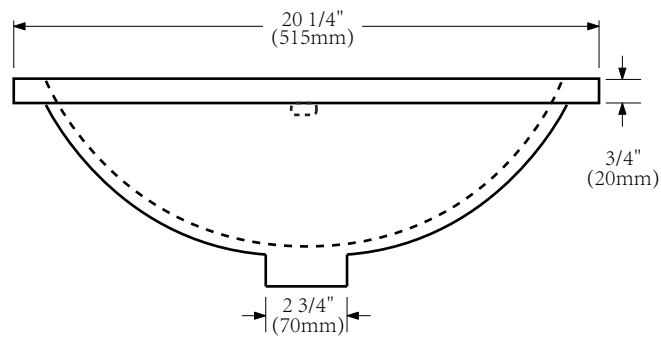
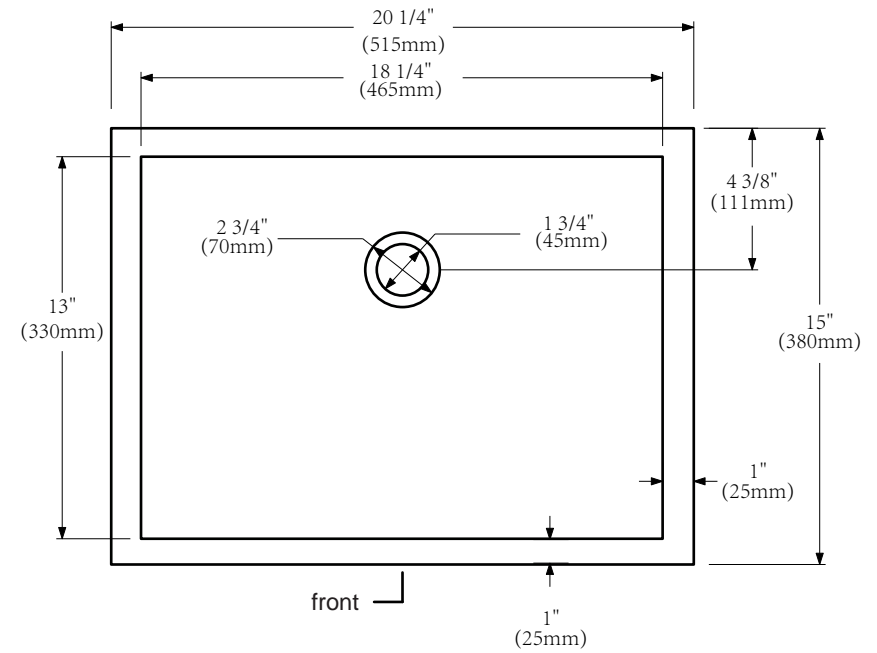
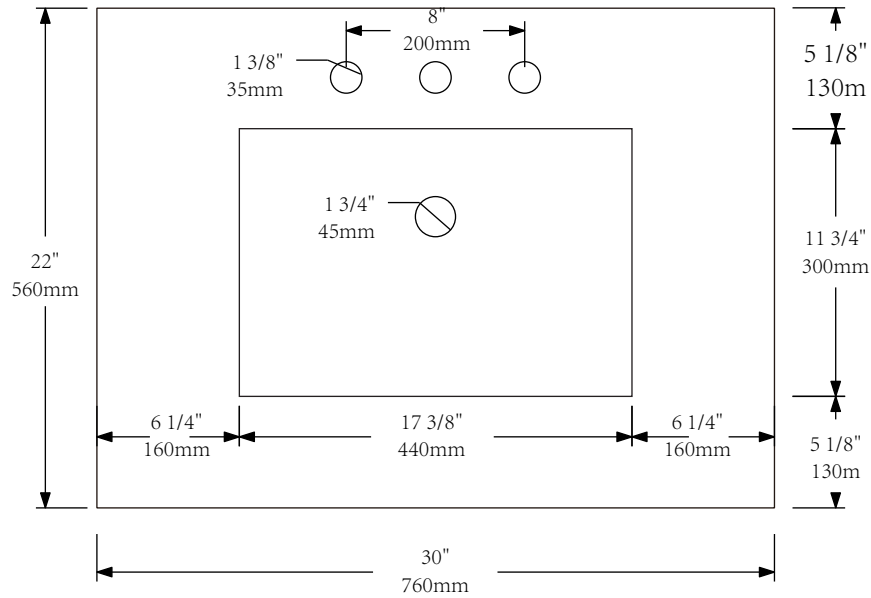
SIDE VIEW



BACK VIEW



MODEL: ELIZABETH30





MODEL: F2-0012

