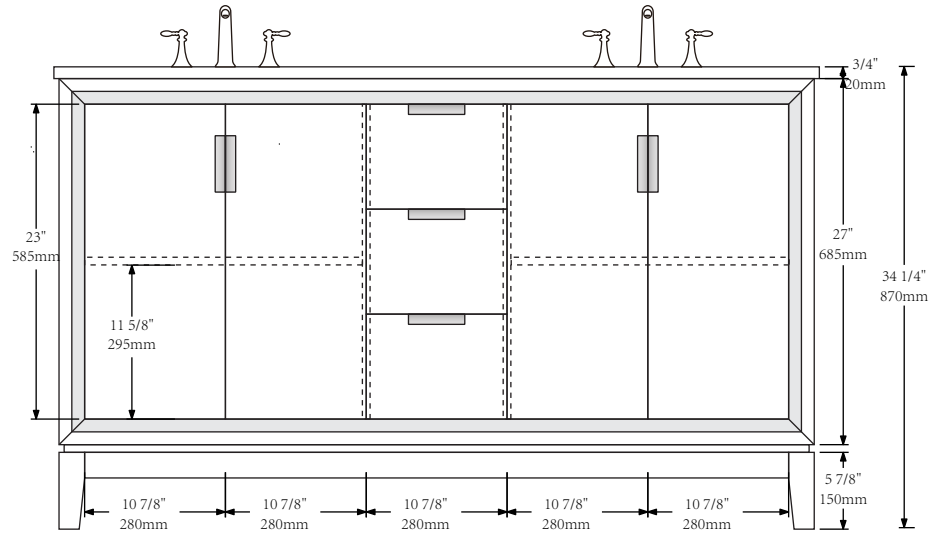
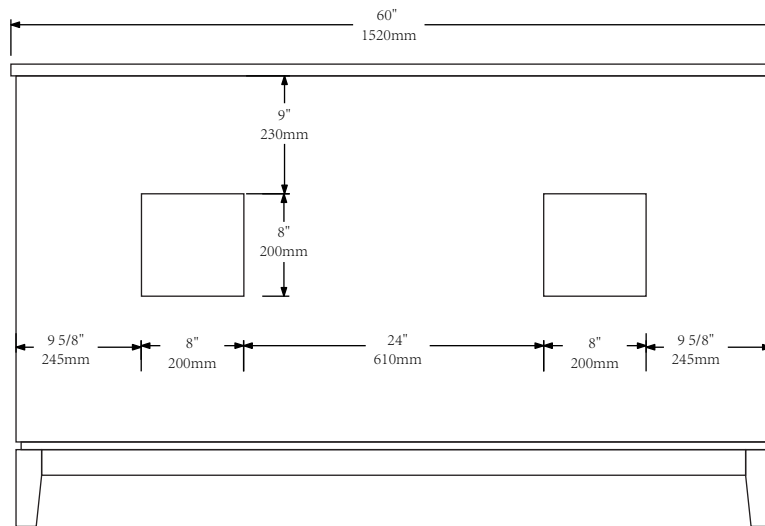




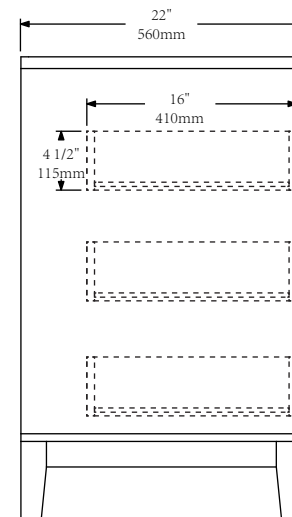
MODEL: ELIZABETH60



FRONT VIEW



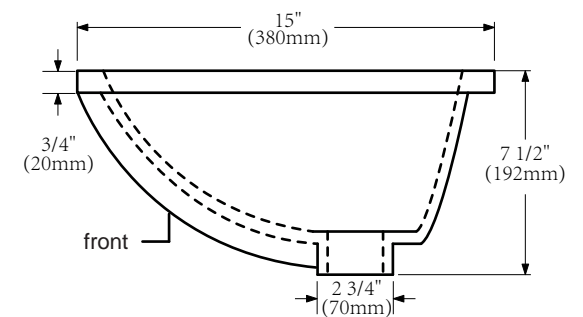
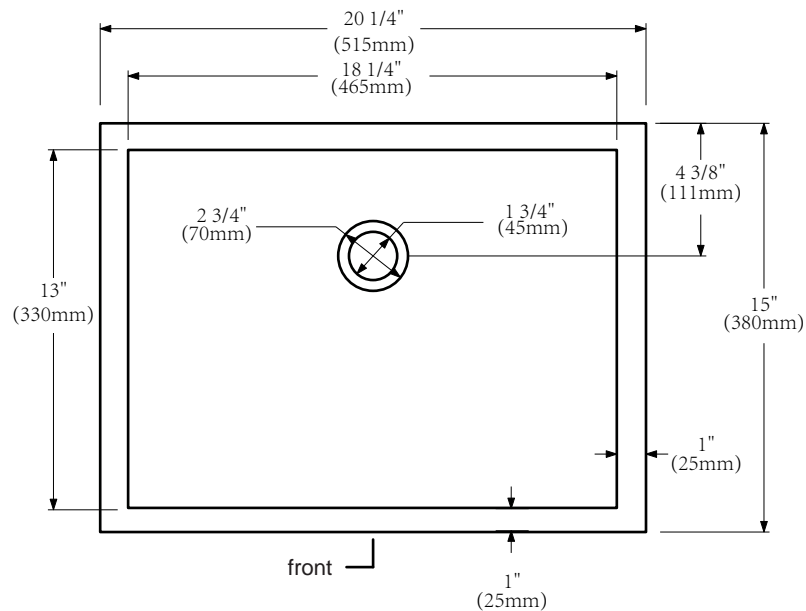
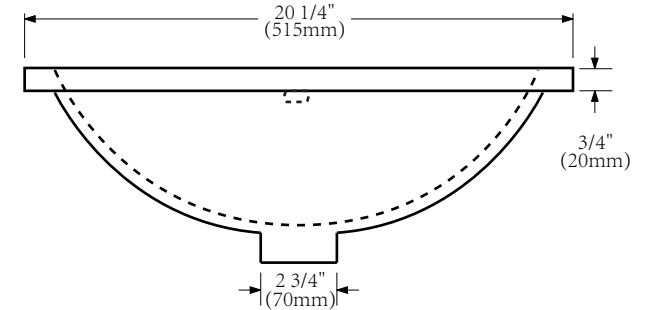
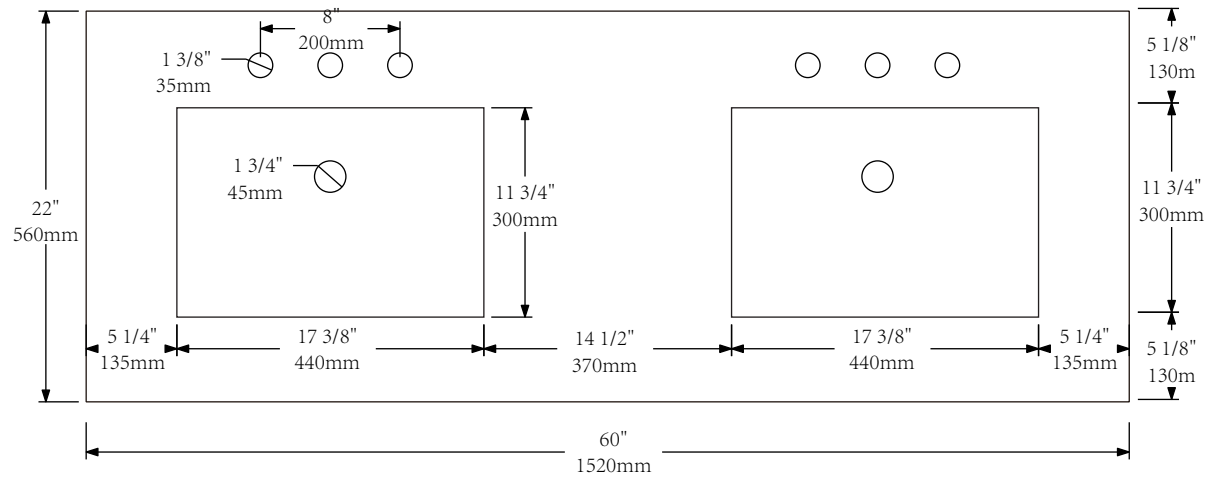
BACK VIEW



SIDE VIEW



MODEL: ELIZABETH60





MODEL: F2-0012

