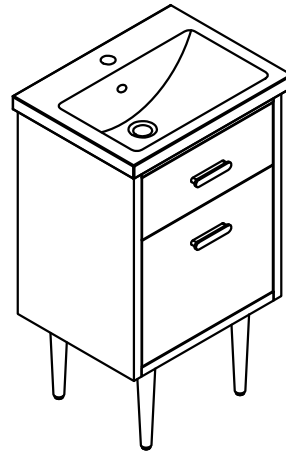


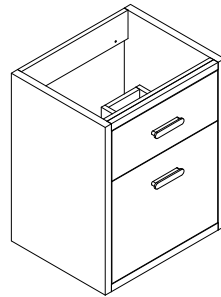


MODEL: BRANDY 20



## Parts List

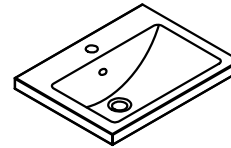
---



**A x 1**  
Cabinet



**B x 4**  
Legs



**C x 1**  
Ceramic sink 20"

## Hardware

---



(M8\*40mm)  
(H1) x 2



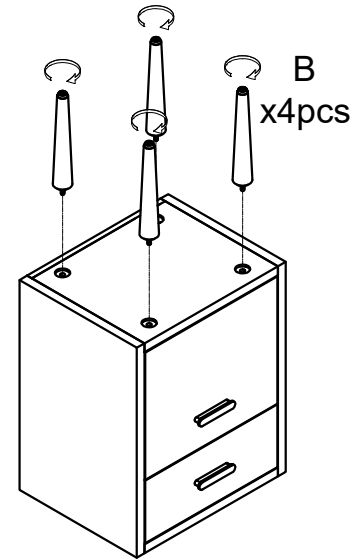
(M4\*55mm)  
(H2) x 2

\*\*It is highly recommended to install the plumbing before the vanity\*\*



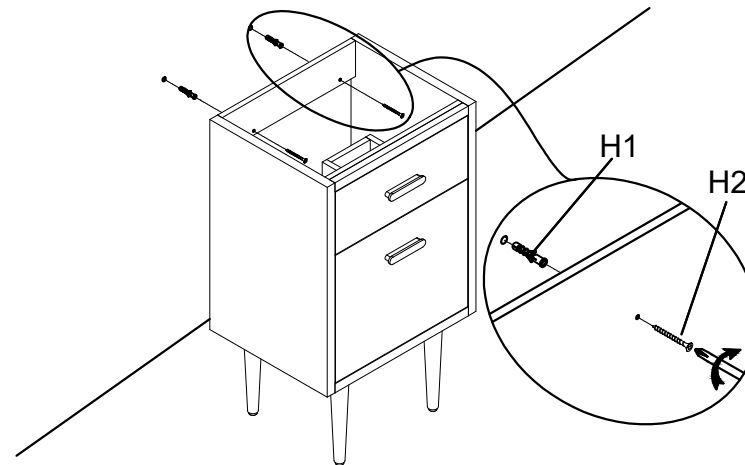
### Step 1

- Put the cabinet upside down, then take 1 leg and screw it down clockwise until it is unable to screw any further. Do the same for the other 3 legs. (All legs are the same, there are levelers on the bottom of each leg which can adjust the height of the cabinet to level the cabinet when installed.



### Step 2

- Flip the cabinet and drill 2 holes on the backboard. Position the cabinet and mark the two holes on the wall. Move the cabinet away and drill 2 holes into the wall. Knock in H1 (2pcs) into the wall. Reposition the cabinet to the wall and screw H2 (2pcs) through the cabinet hole to secure it.

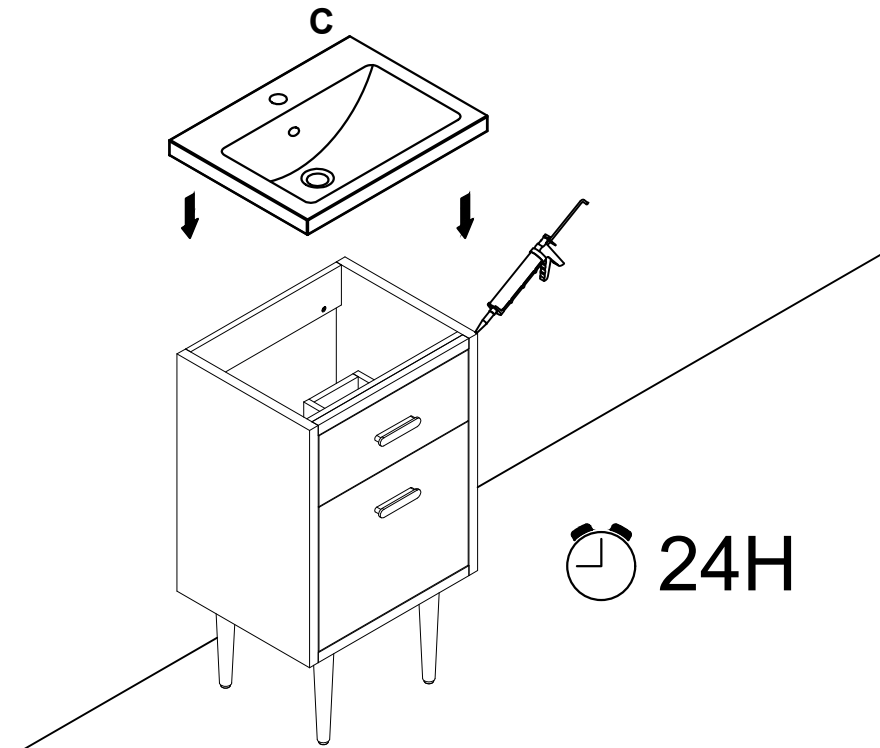




**MODEL: BRANDY 20**

### **Step 3**

- Apply clear silicone (not included) on the top of the cabinet on 4 sides, then attach the ceramic sink.
- Quickly adjust the sink accordingly, making sure all sides align.
- Wait 24 hours before use.





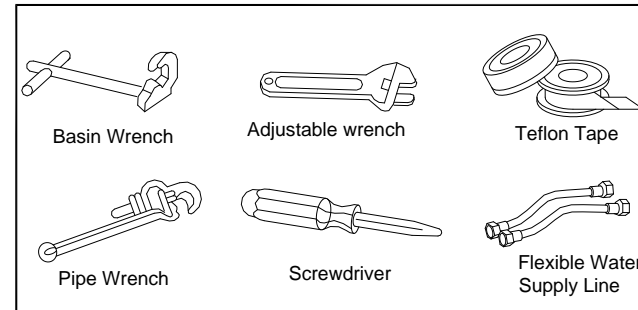
MODEL: F7-0001

## LAVATORY FAUCET INSTALLATION GUIDE

### BEFORE YOU BEGIN

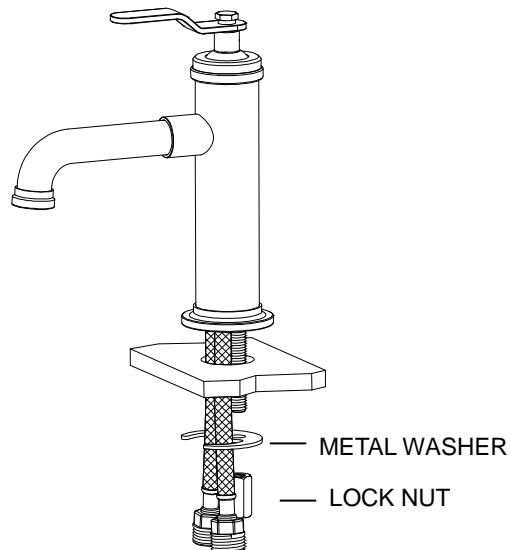
- 1) Shut off water supply.
- 2) Carefully inspect waste and supply tubing for signs of damage.
- 3) Replace waste or supply tubing if necessary

### TOOLS AND MATERIALS



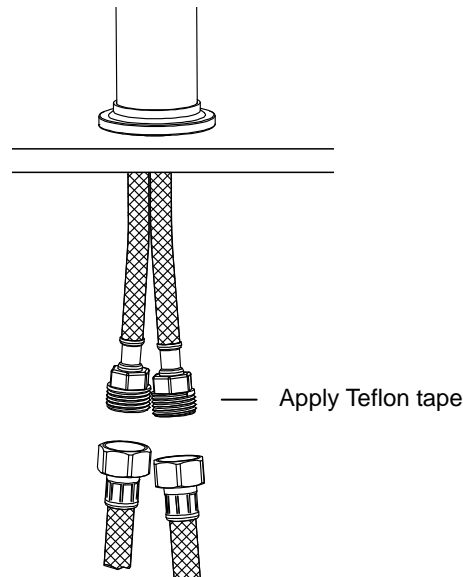
### A) FAUCET INSTALLATION

- 1) Set the faucet in place and insert the hoses into hole of deck or lavatory.
- 2) Screw and tighten washer, lock nut onto the shank and secure the faucet



### B) SUPPLY CONNECTION

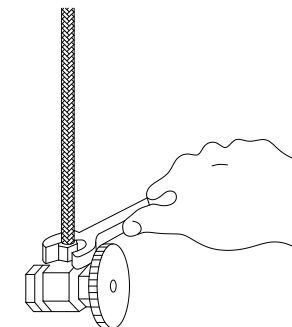
- 1) Apply Teflon tape to faucet inlet shanks and angle stop threads.



- 2) Connect hoses (not provided) to faucet inlets and angle stops.
- 3) Tighten all connections.

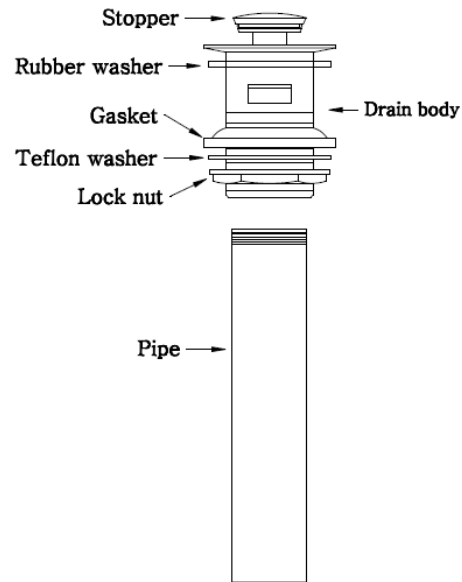
\*\*\* VERY IMPORTANT \*\*\*

- 4) Flush out water for two minutes before connect hose to faucet valve.  
(This act to avoid debris trapped the flow regulator)



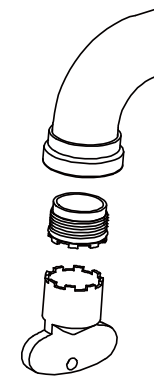
**C) DRAIN WASTE INSTALLATION**

- 1) Disassemble the drain.
- 2) Apply plumbers' putty or sealant to bottom side of flange.  
(Or use attached rubber washer to instead of putty)
- 3) Insert drain body through sink.
- 4) Attach the gasket, Teflon washer and tighten the lock nut.
- 5) Apply Teflon tape to the drain pipe threads and screw with drain body
- 6) Remove excessive plumbers' putty or sealant.



**D) INSTALLATION CHECKOUT**

- 1) Ensure all connections are tightened properly.
- 2) Turn on main water supply.
- 3) Turn on and off cold and hot water respectively.
- 4) Turn on both hot and cold water and turn off. Check for leaks.
- 5) Remove the aerator with attached key. Check for debris. Clean if necessary.
- 6) Reinstall aerator.



**COMPLETE INSTALLATION**