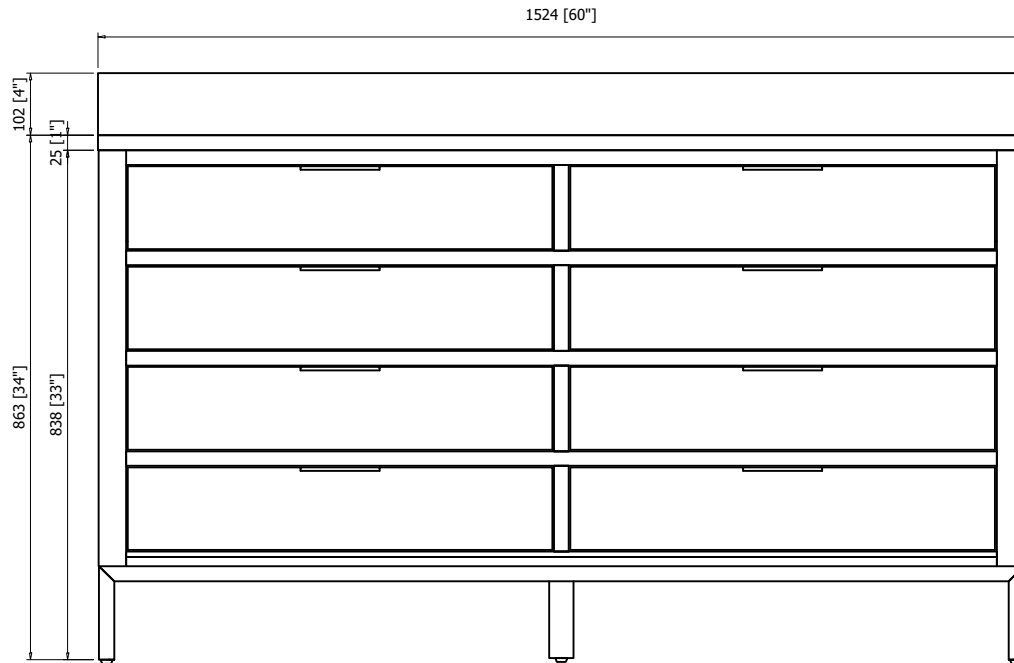
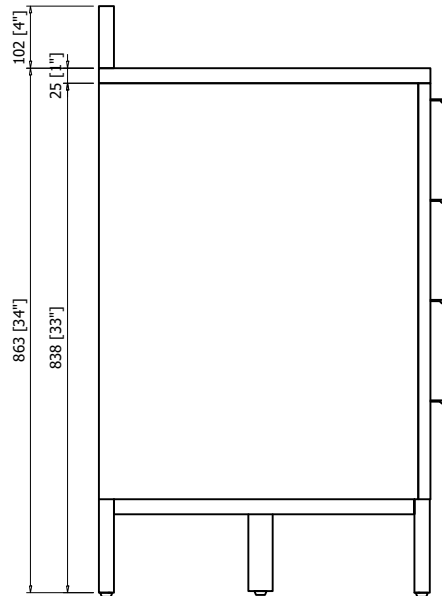
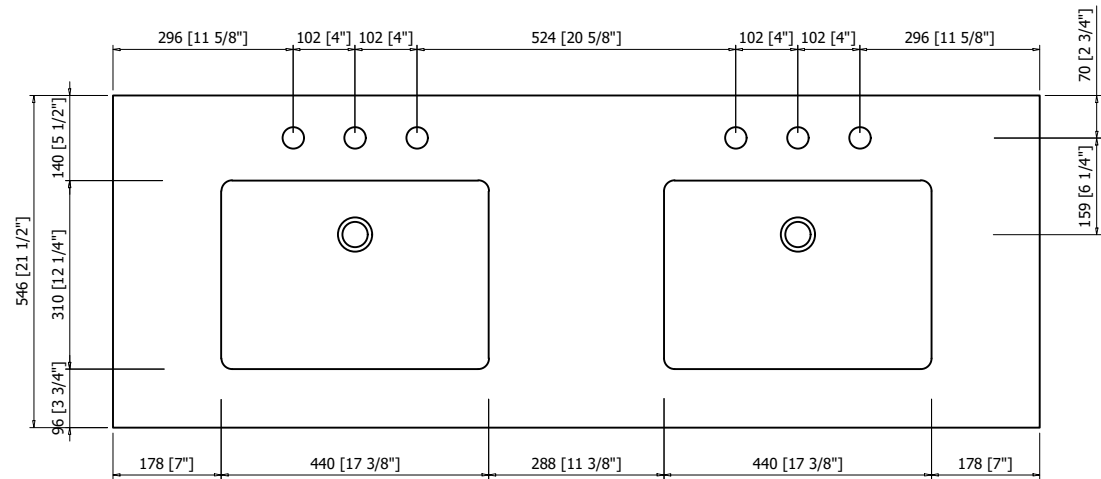


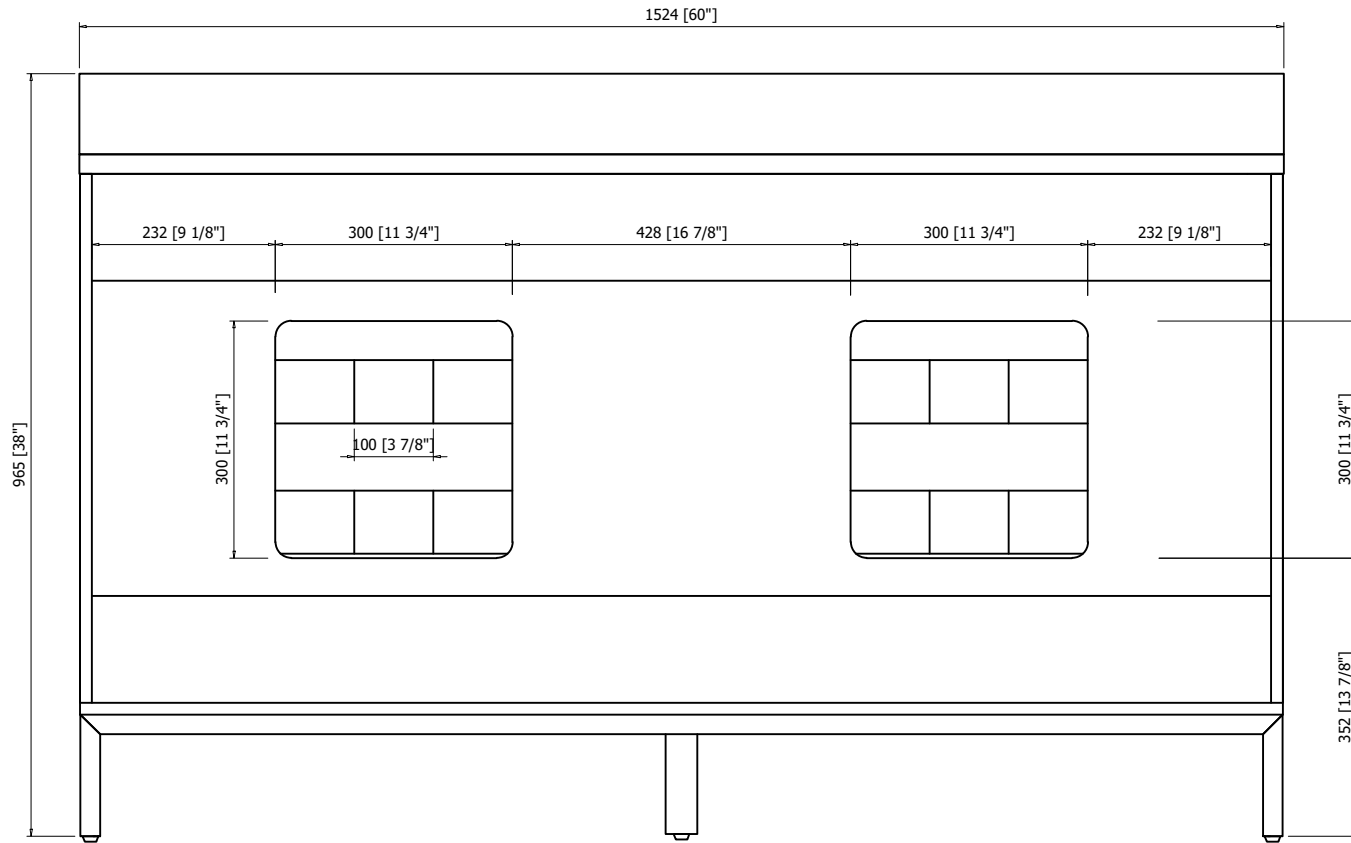


# MODEL: BRISTOL 60



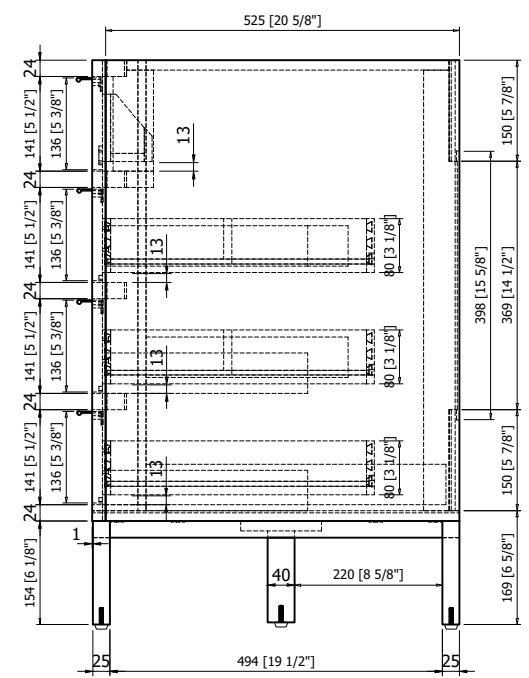
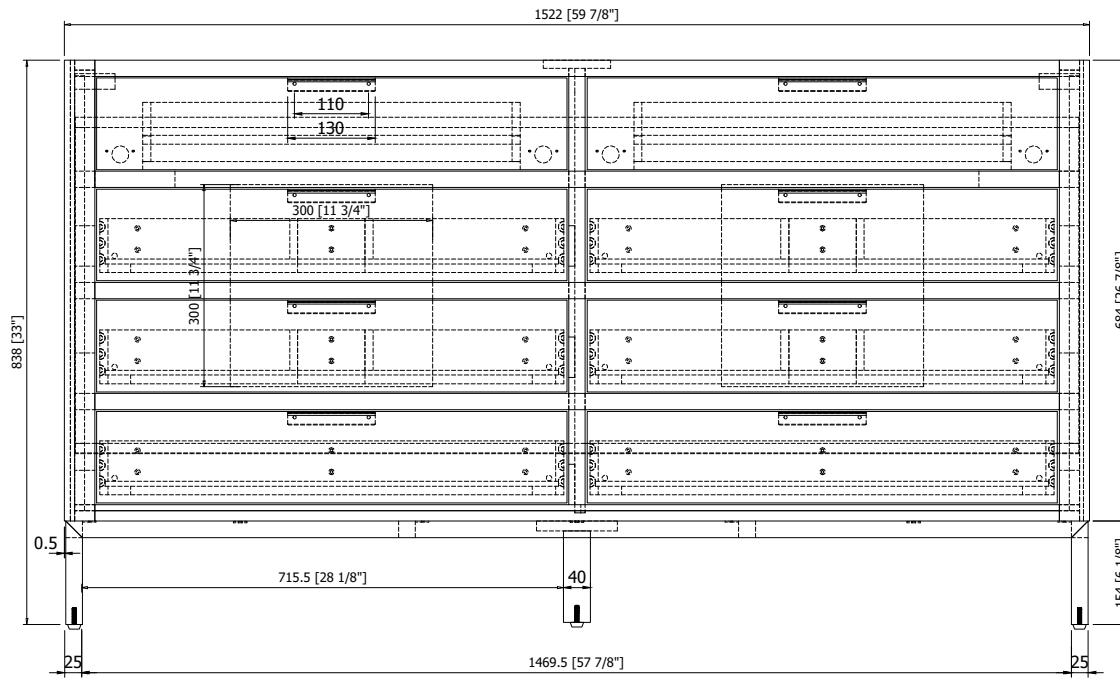
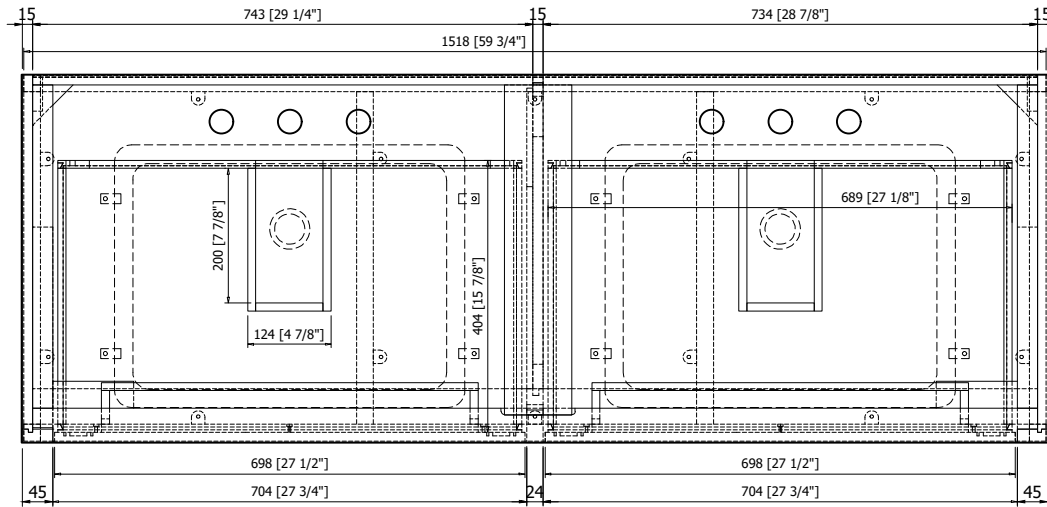


# MODEL: BRISTOL 60



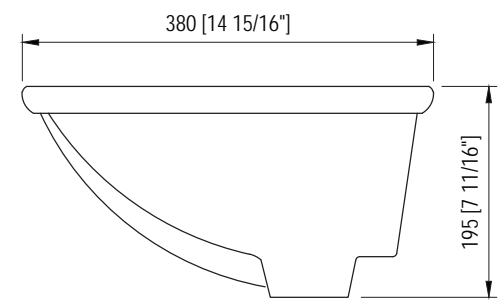
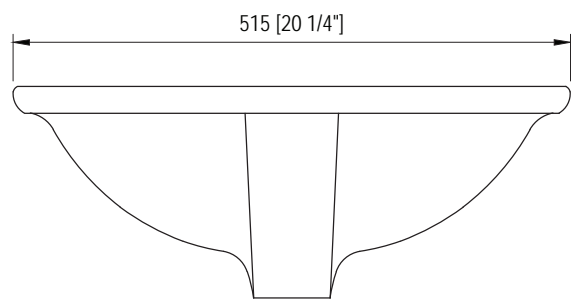
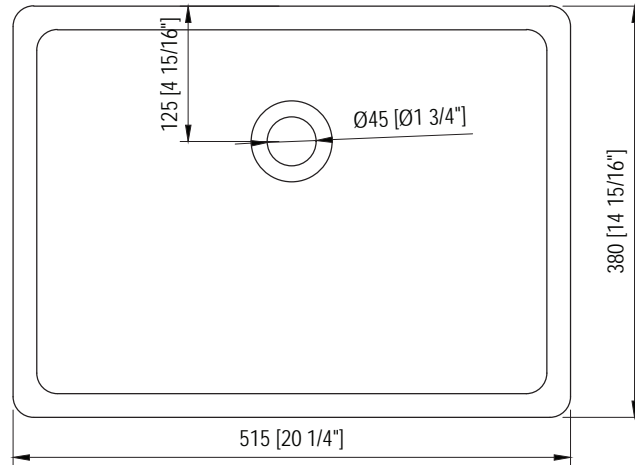


# MODEL: BRISTOL 60



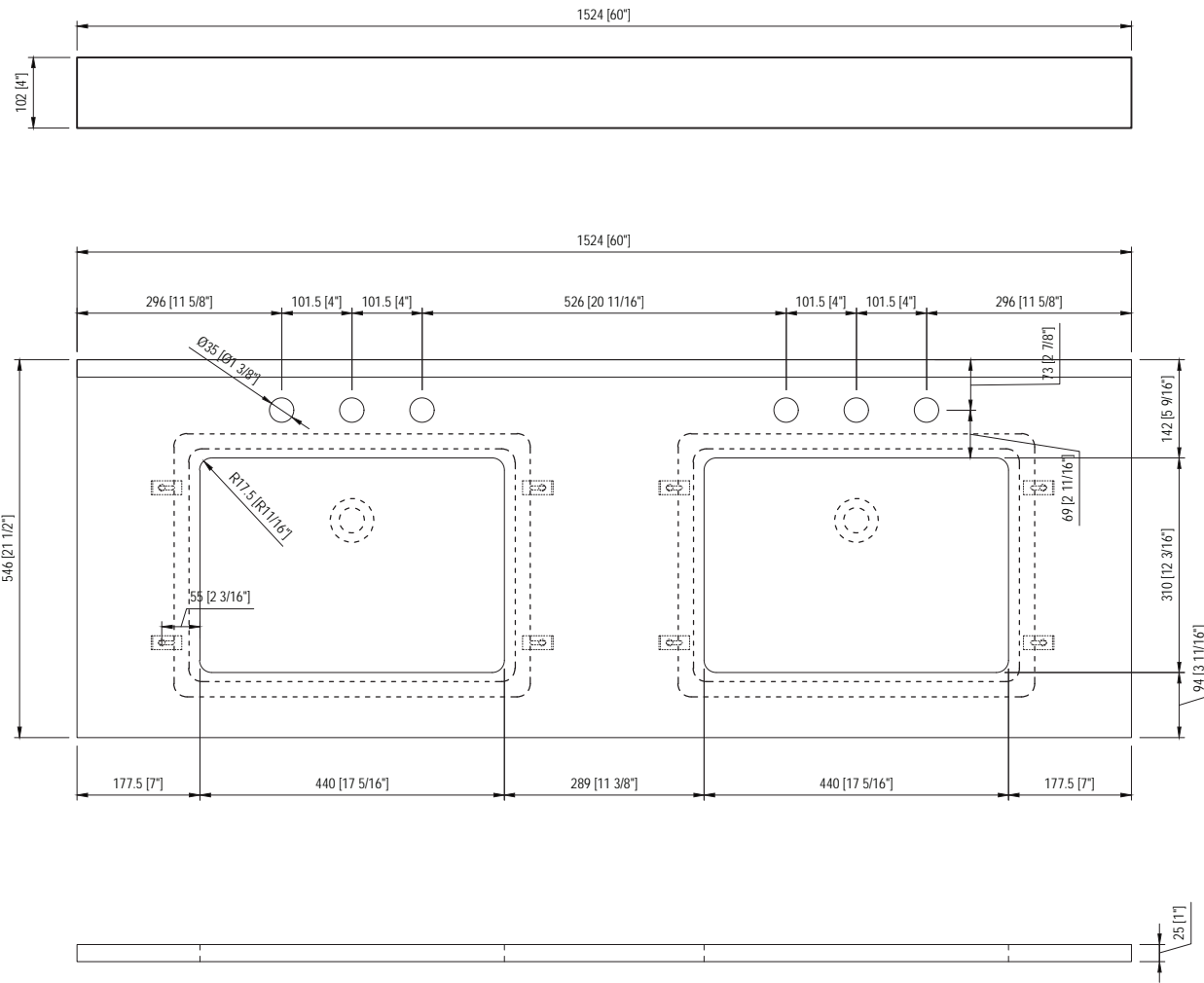


MODEL: BRISTOL 60





**MODEL: BRISTOL 60**





MODEL: RET-M-2136

