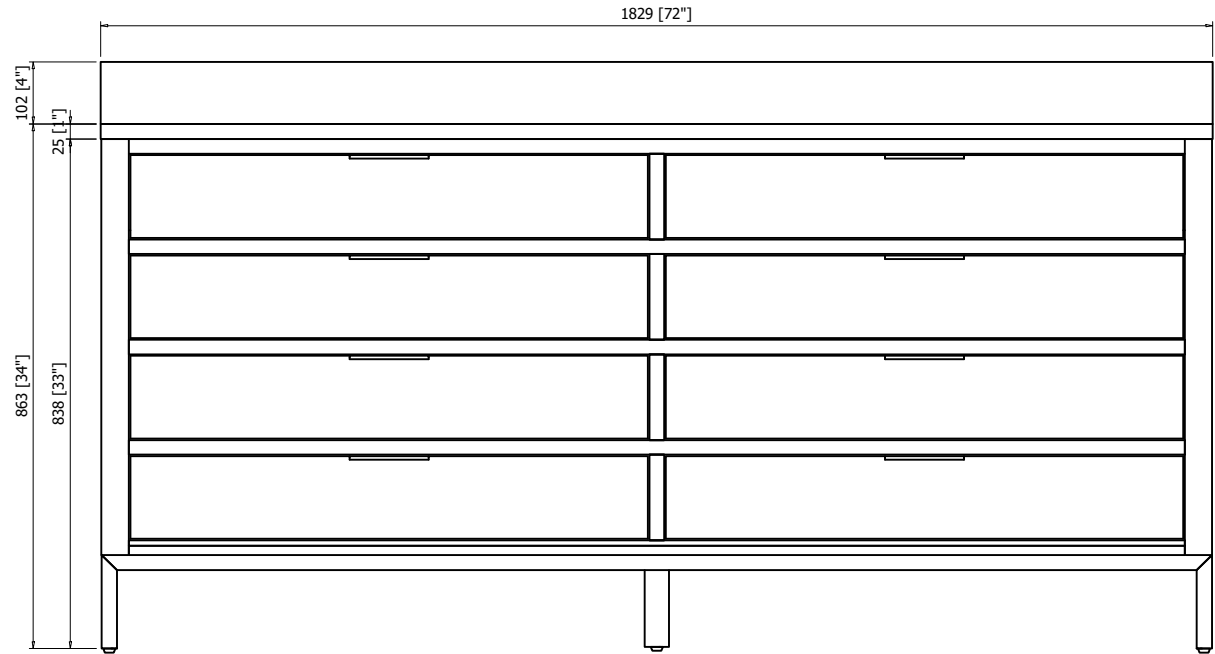
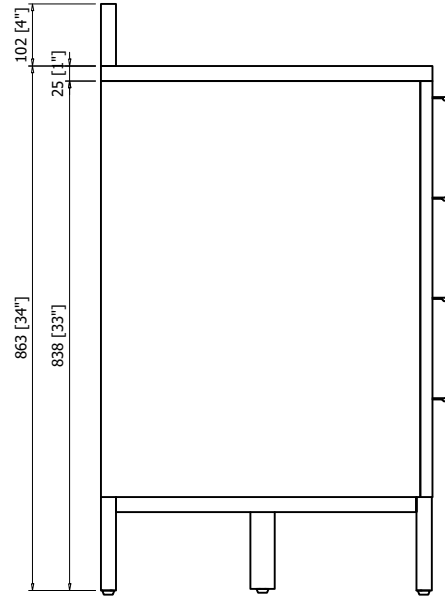
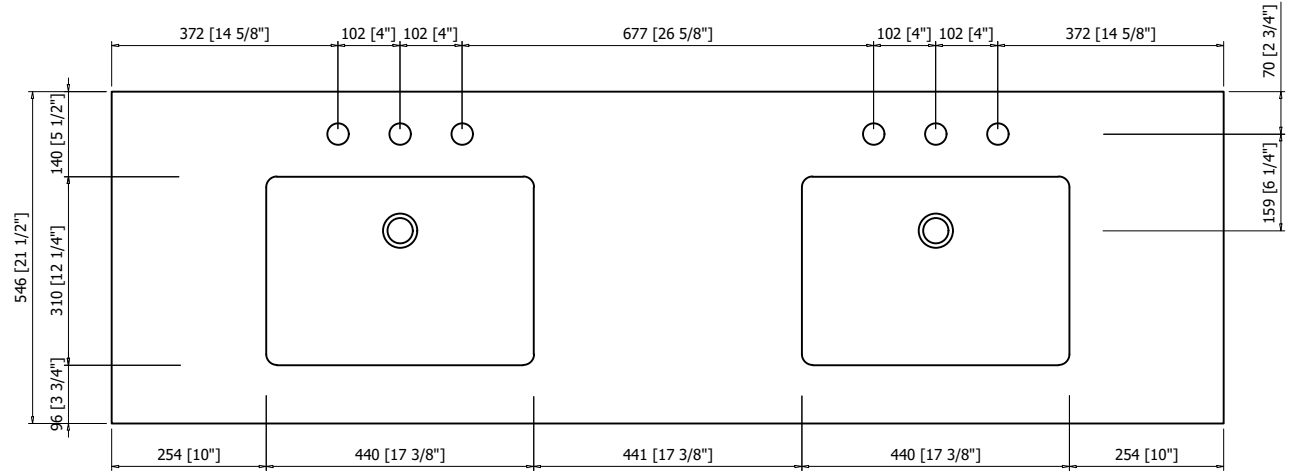


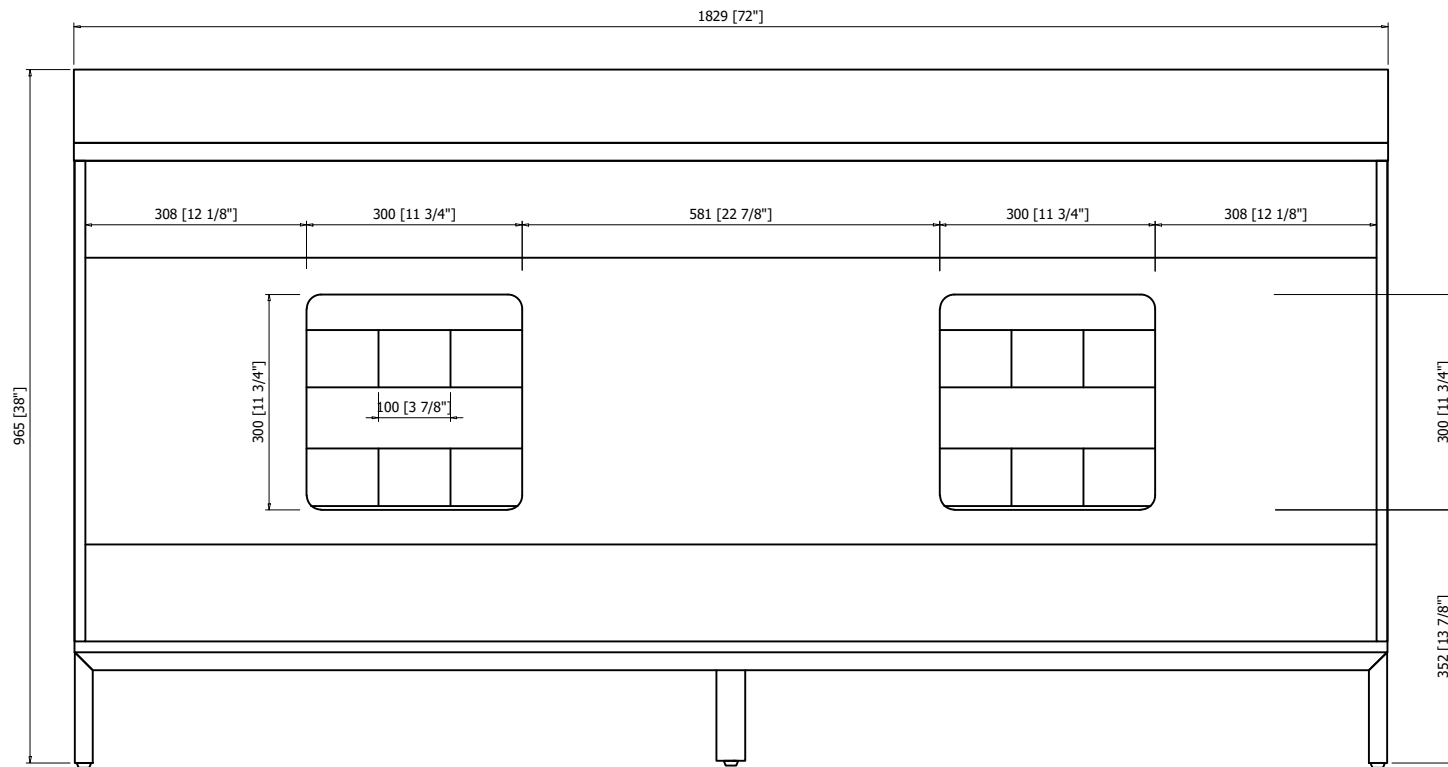


# MODEL: BRISTOL 72





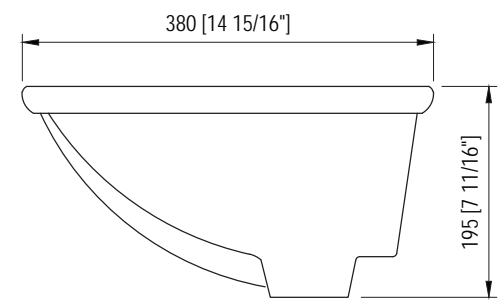
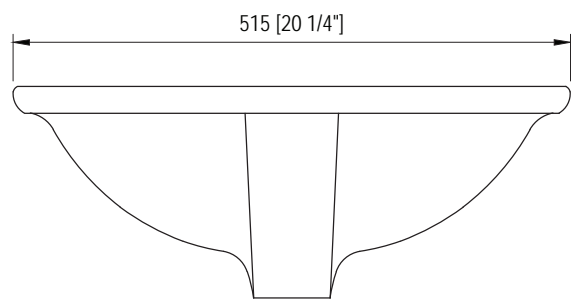
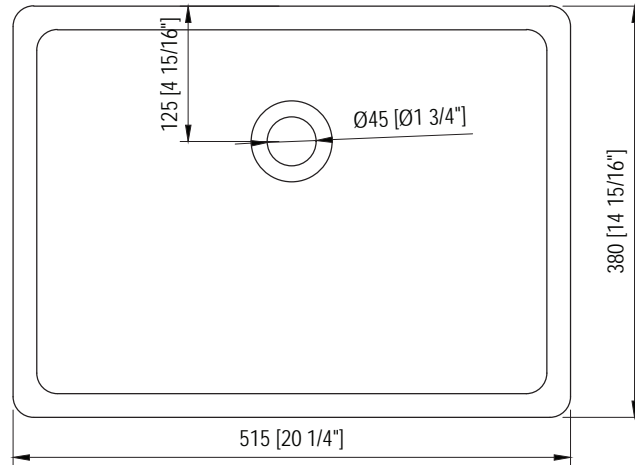
# MODEL: BRISTOL 72





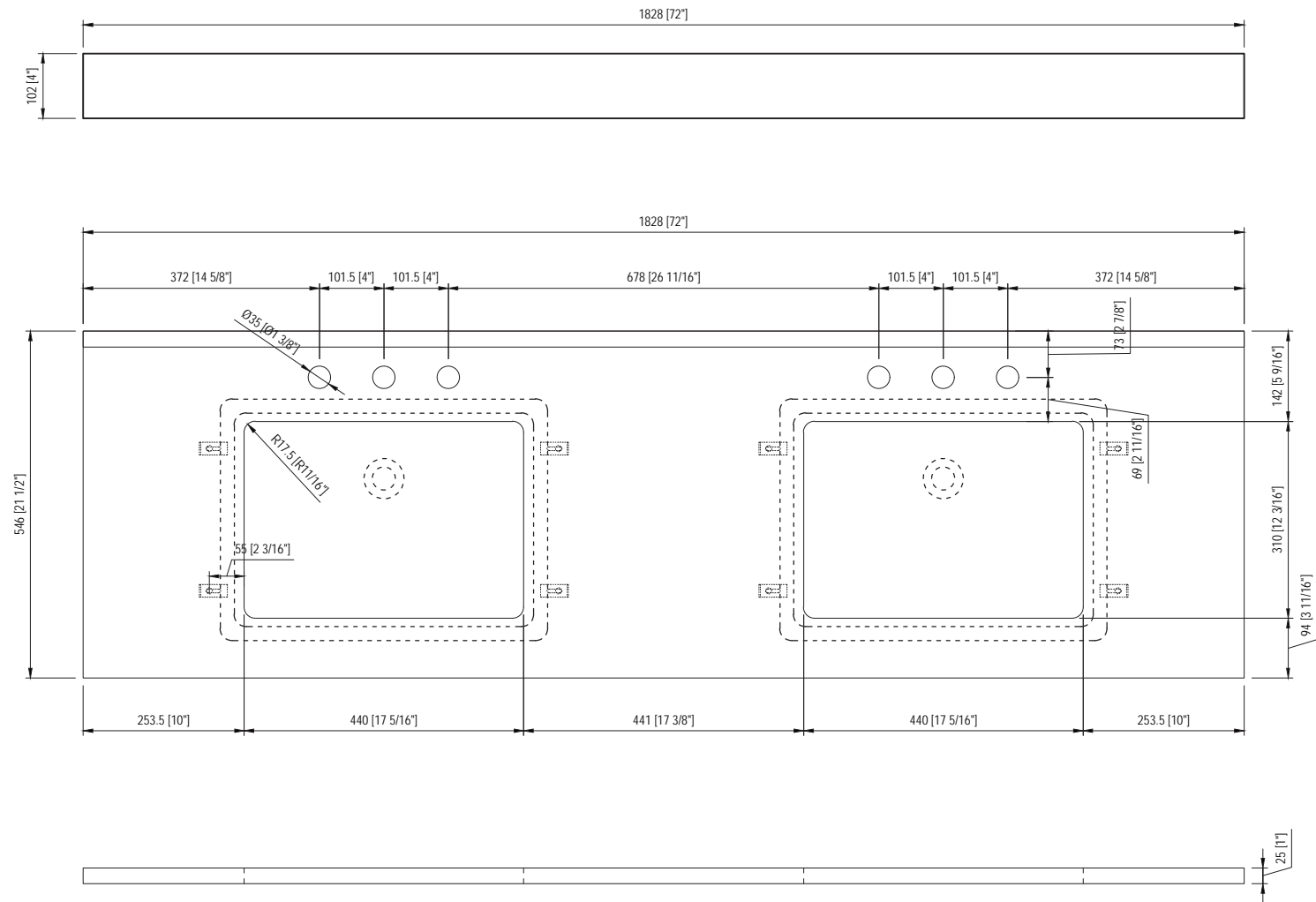


MODEL: BRISTOL 72





# MODEL: BRISTOL 72





MODEL: F2-0014

