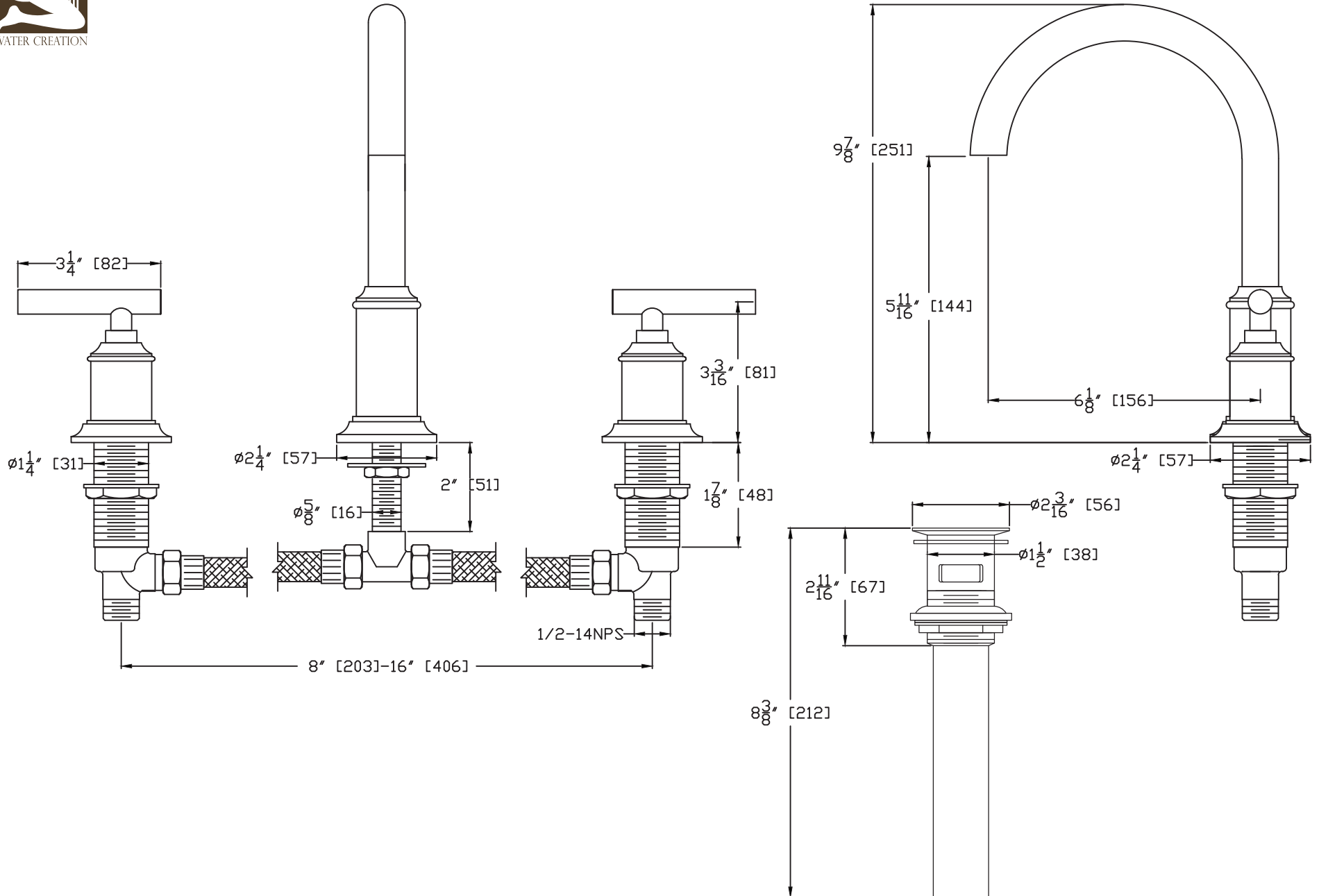


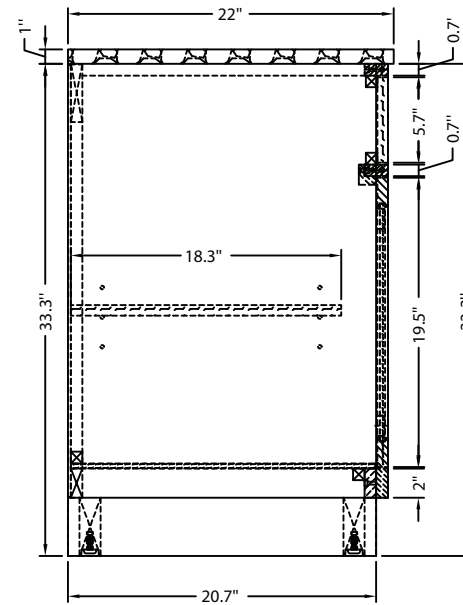
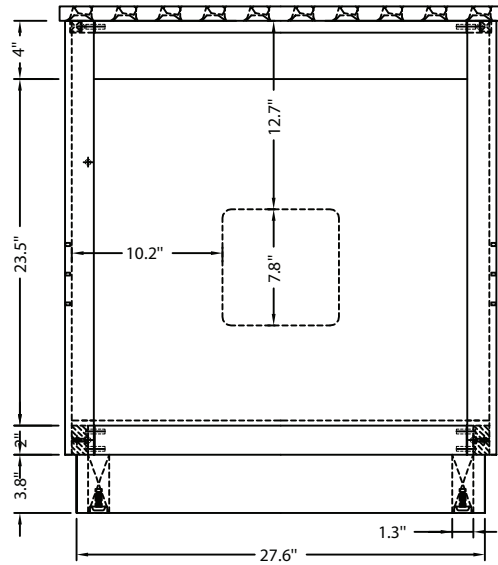
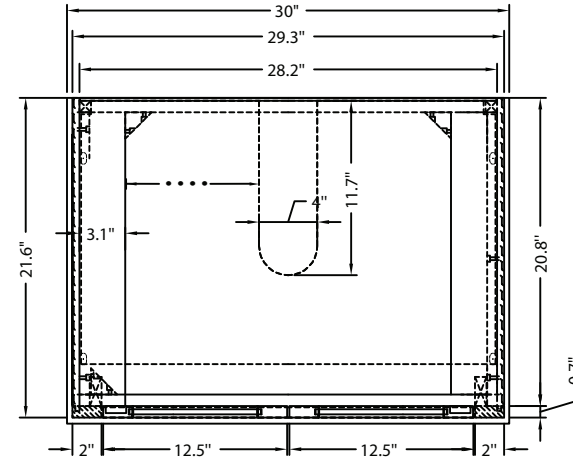
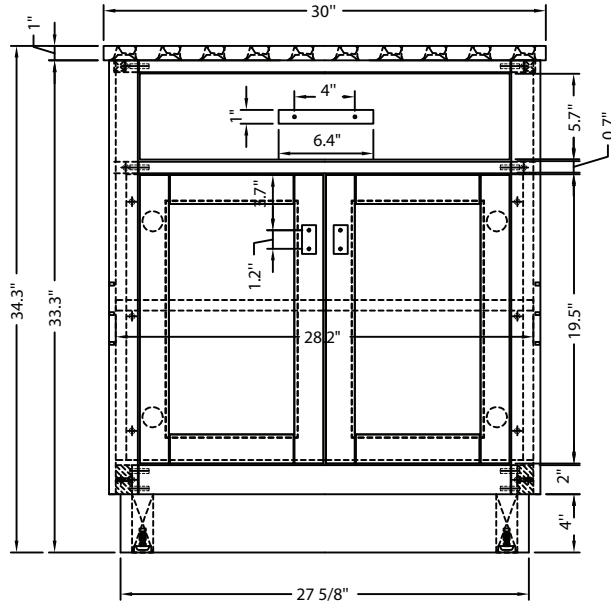


MODEL: F2-0014



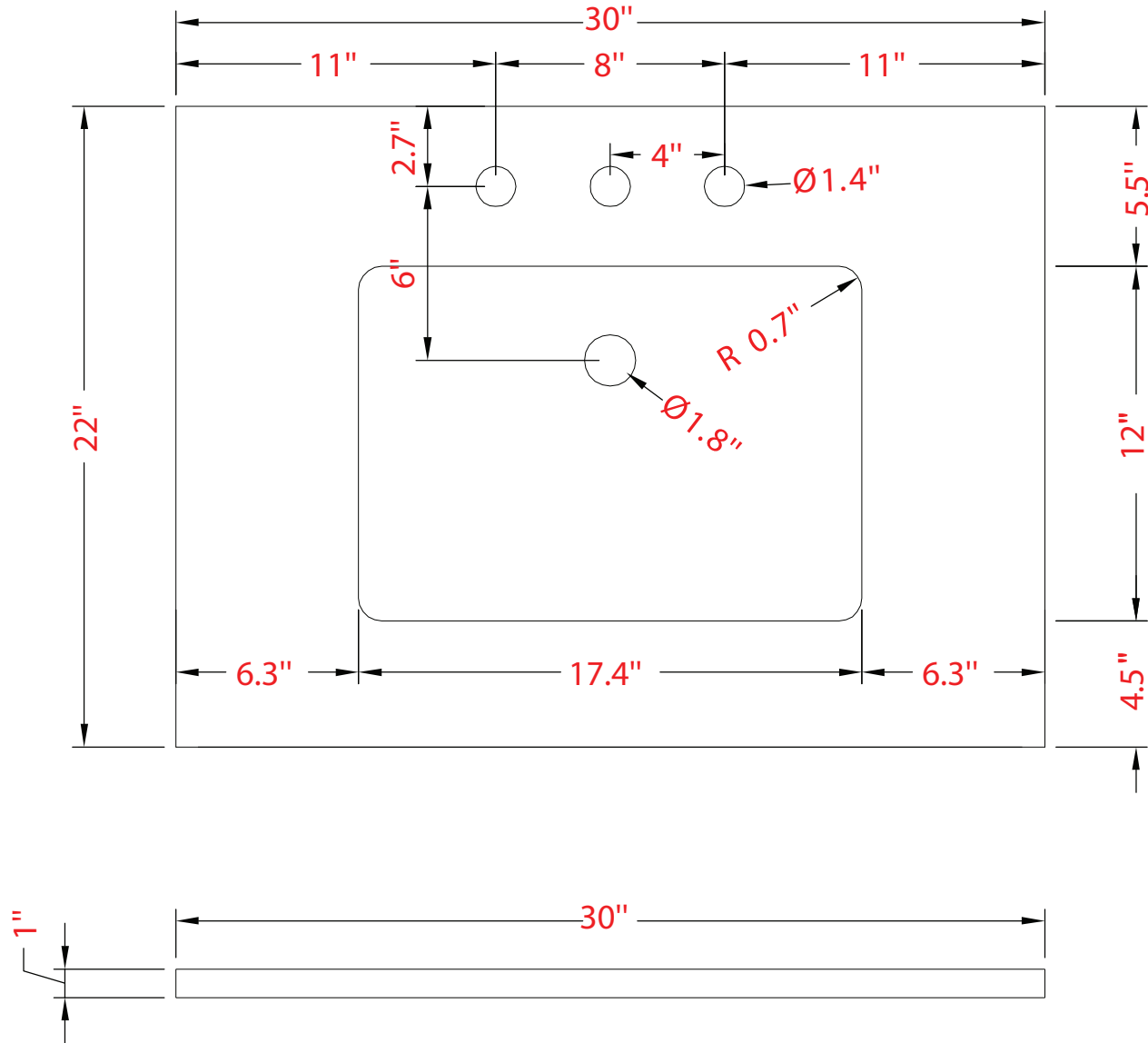


MODEL: HARTFORD 30



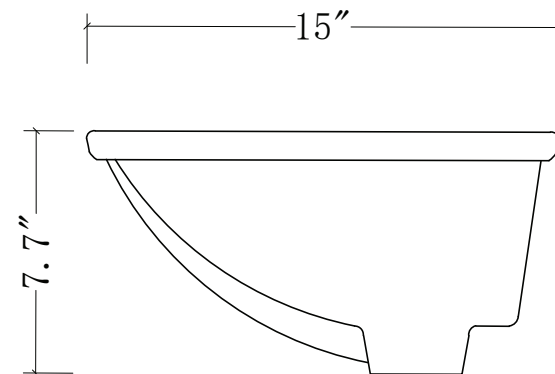
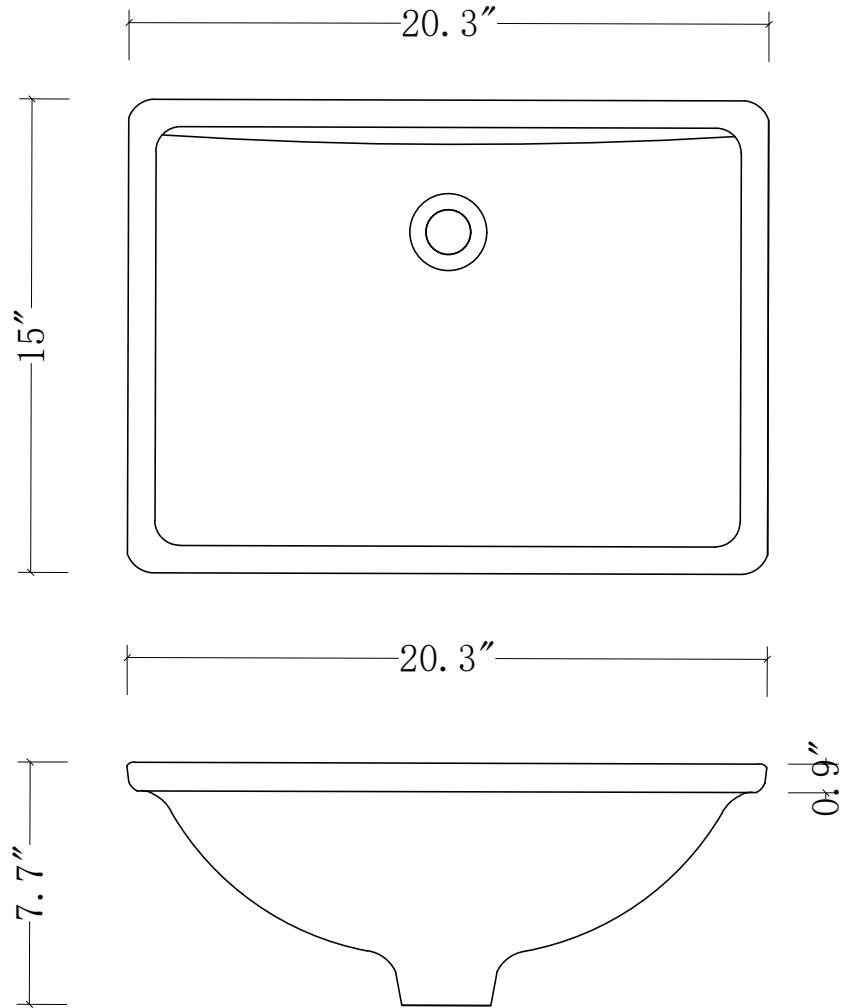


MODEL: HARTFORD 30





MODEL: HARTFORD 30





MODEL: RET-M-2436

