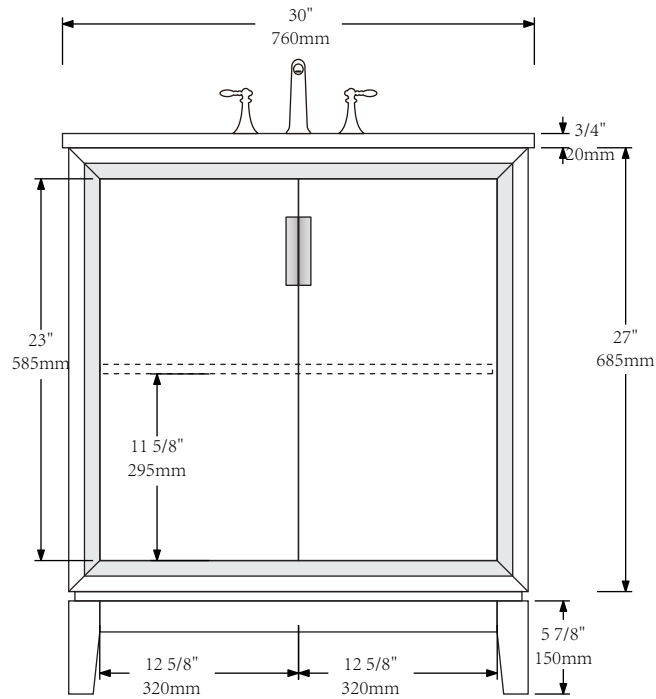
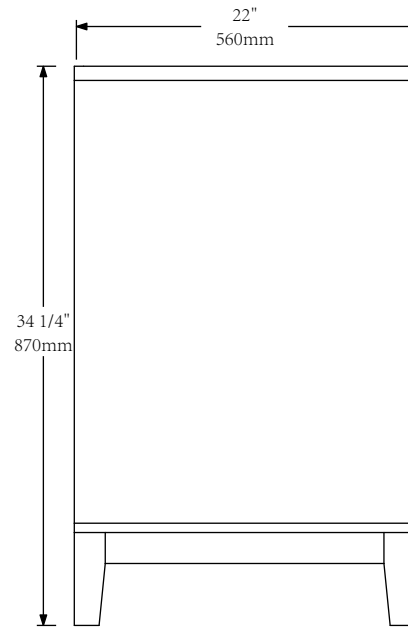




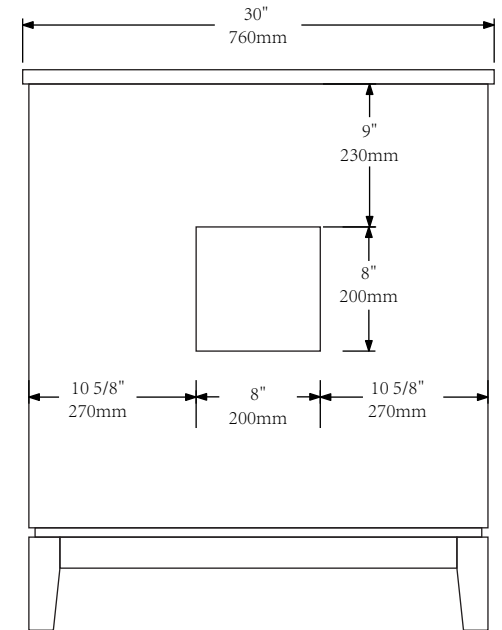
MODEL: ELIZABETH30



FRONT VIEW



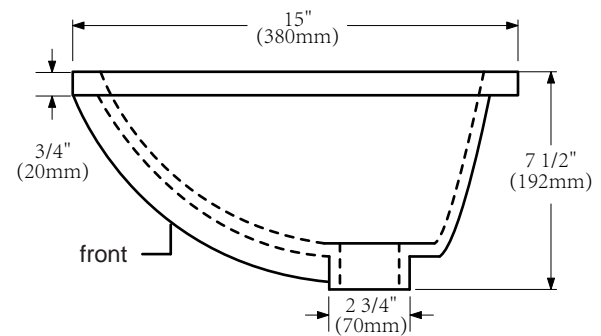
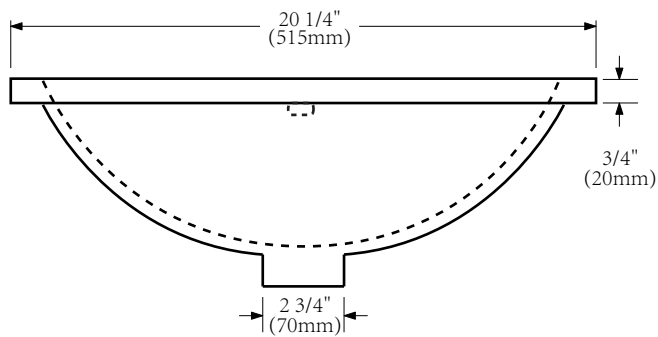
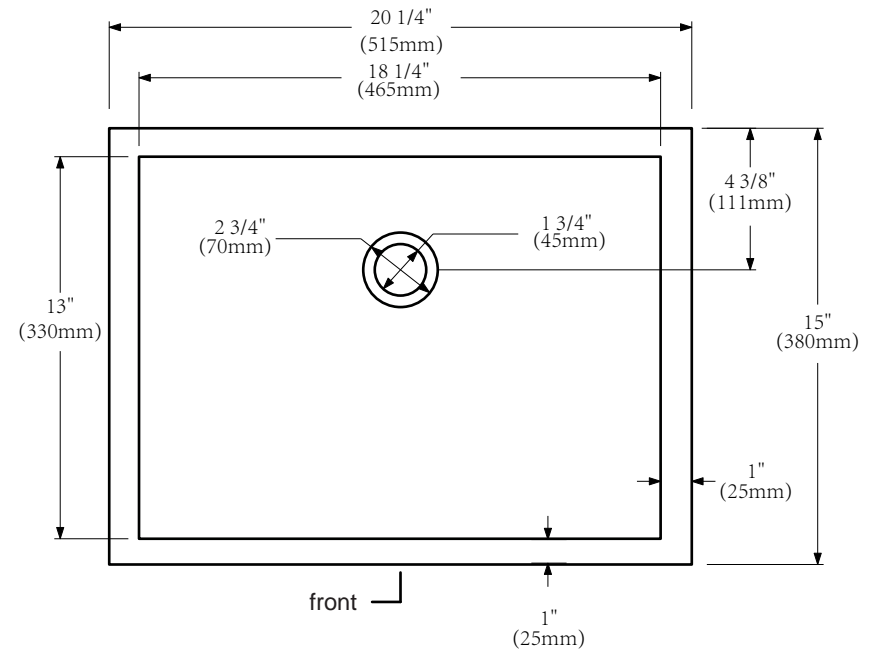
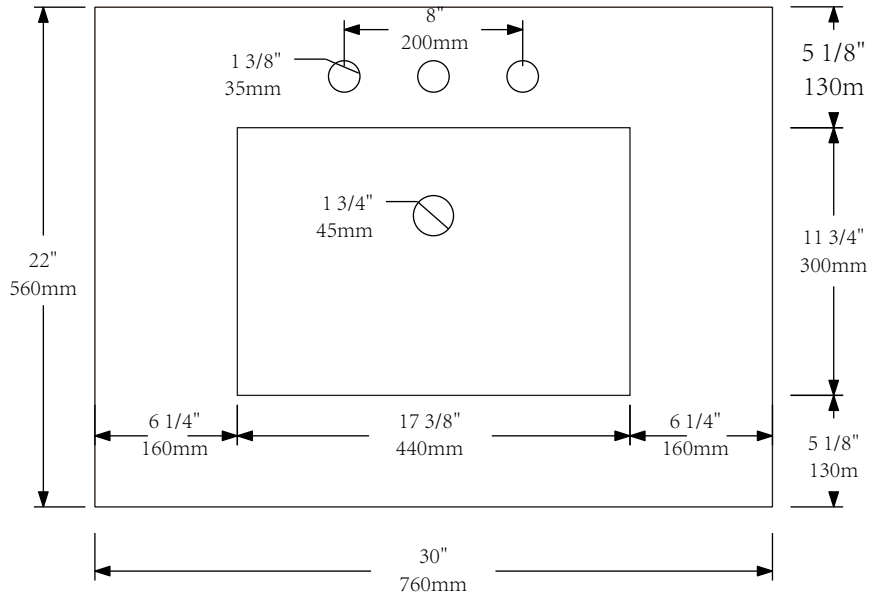
SIDE VIEW



BACK VIEW

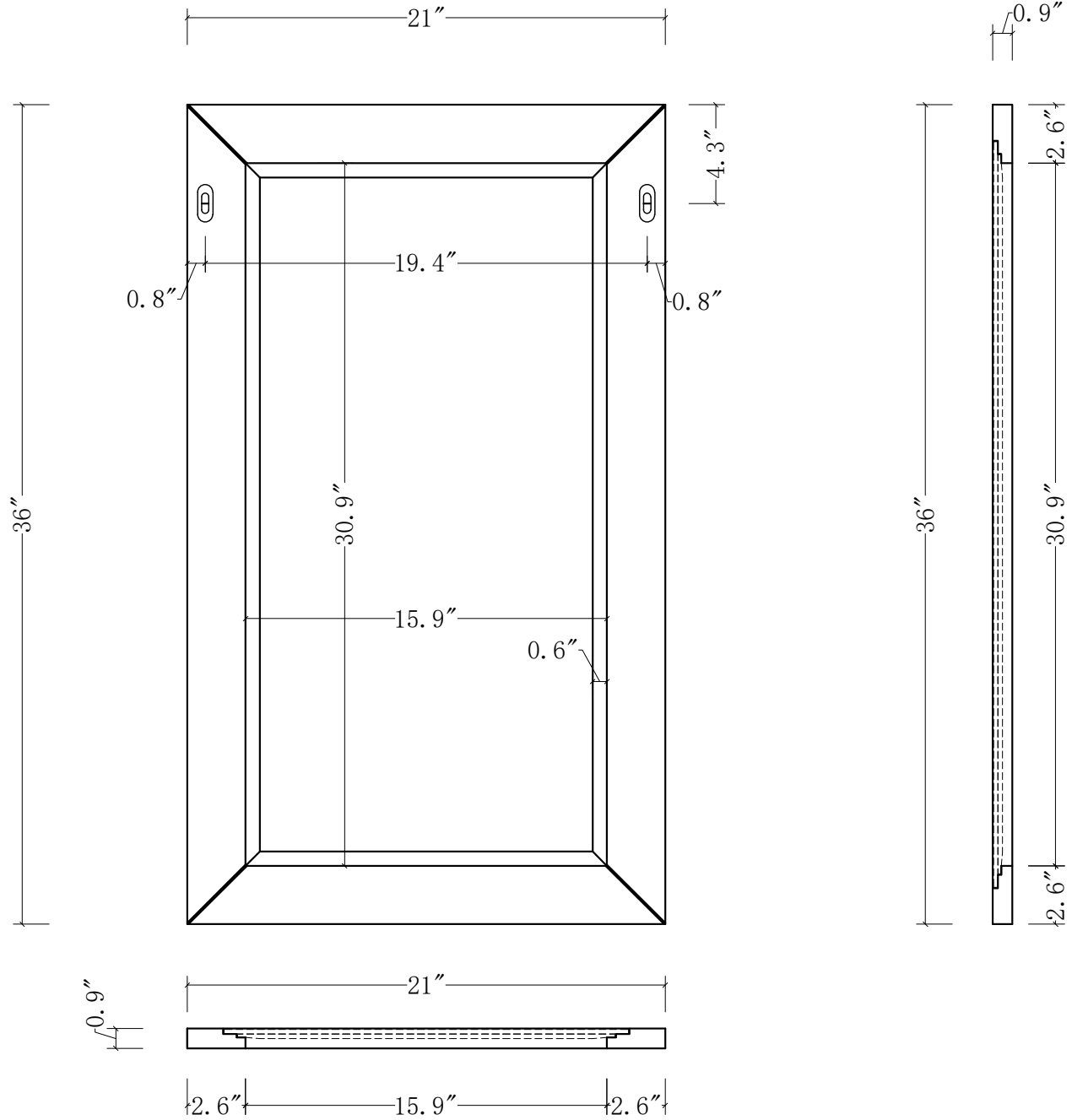


MODEL: ELIZABETH30





MODEL: RET-M-2136





MODEL: F2-0012

