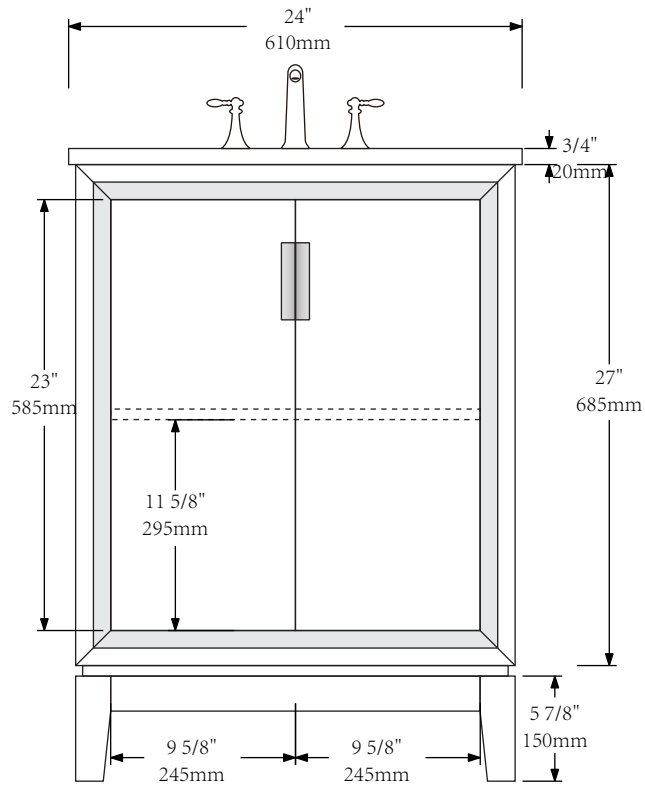
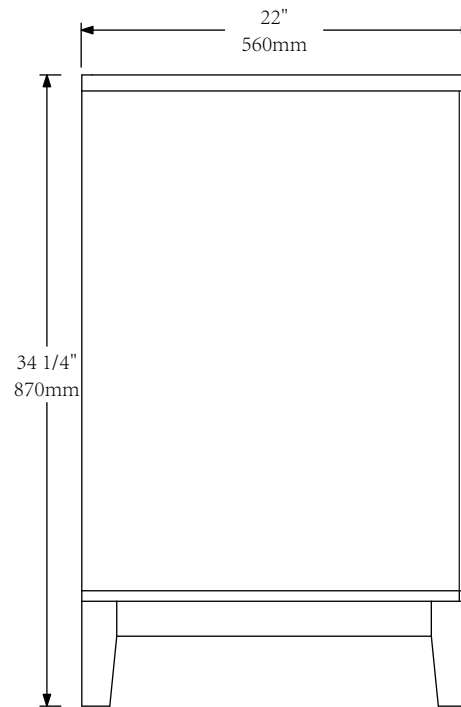




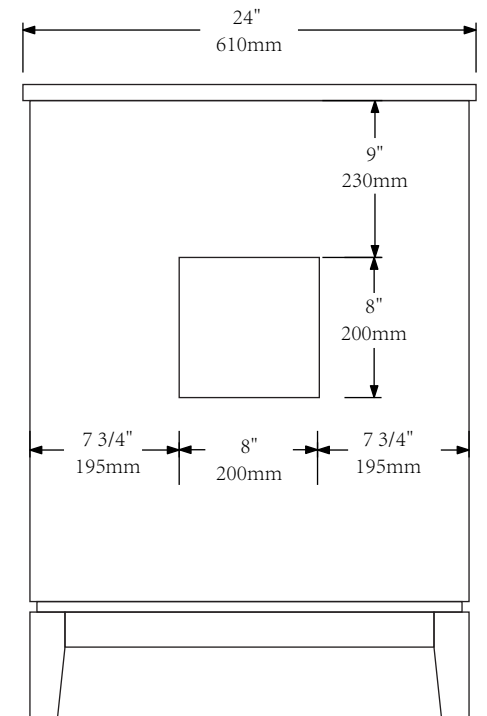
MODEL: ELIZABETH24



FRONT VIEW



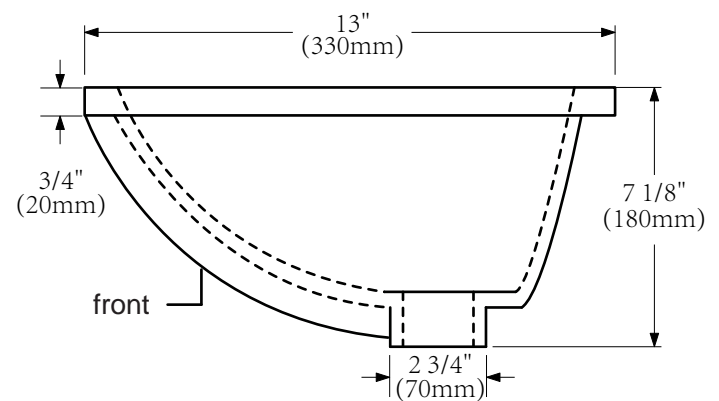
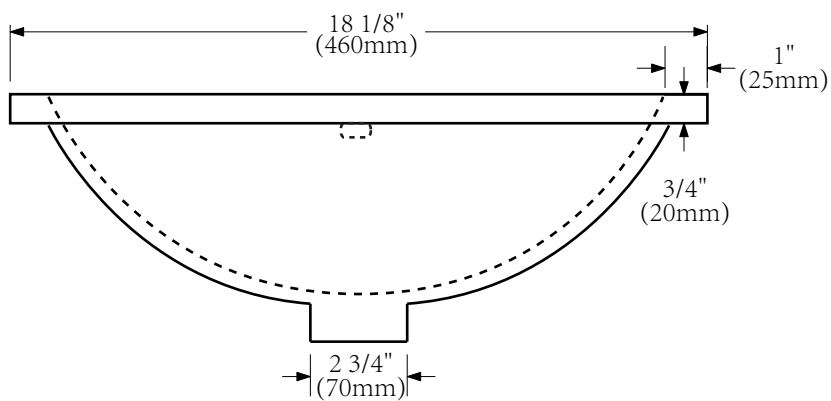
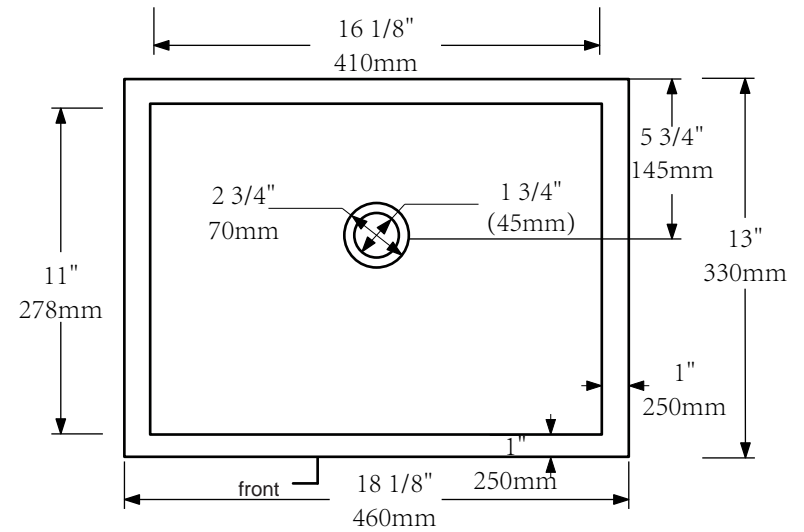
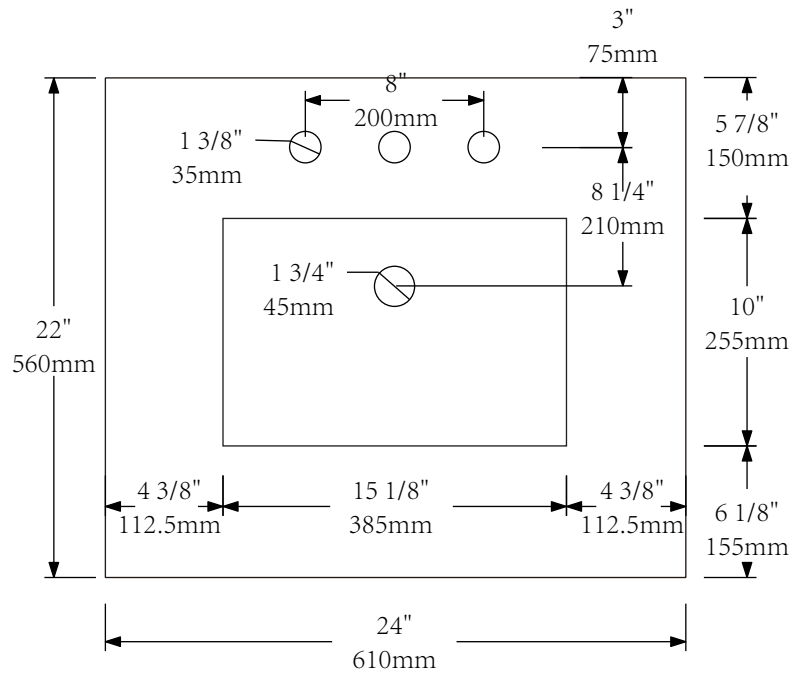
SIDE VIEW



BACK VIEW



**MODEL: ELIZABETH24**





MODEL: F2-0009

