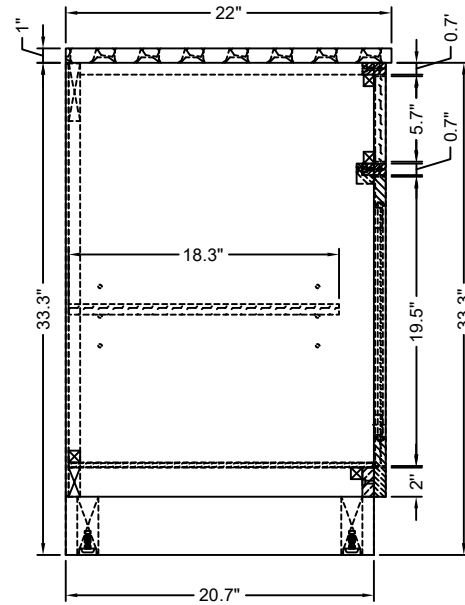
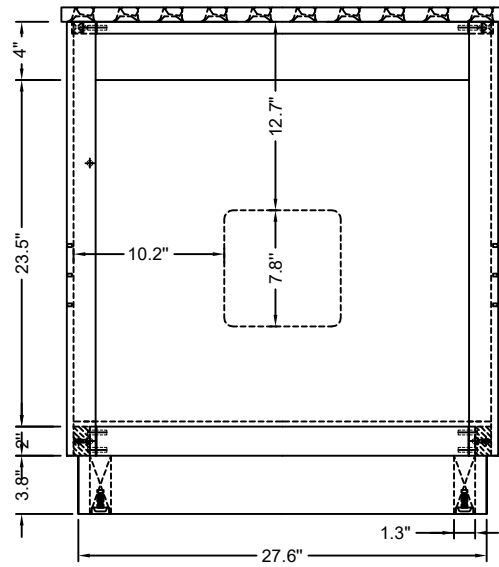
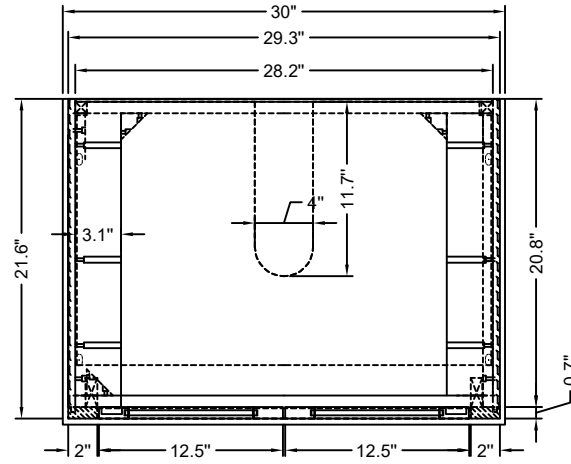
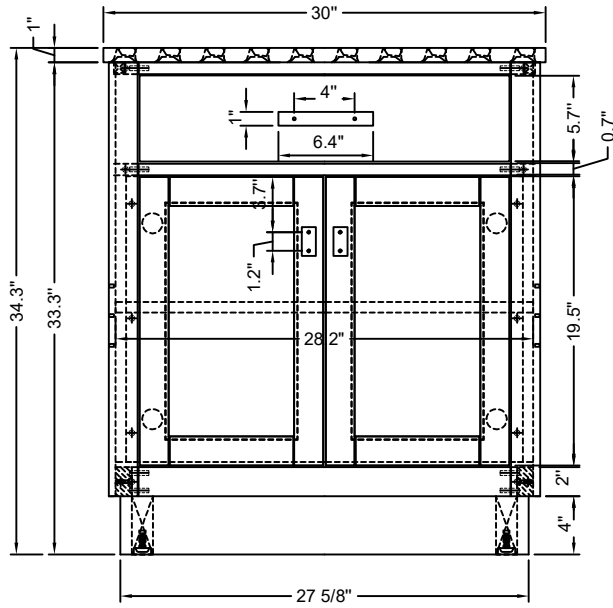


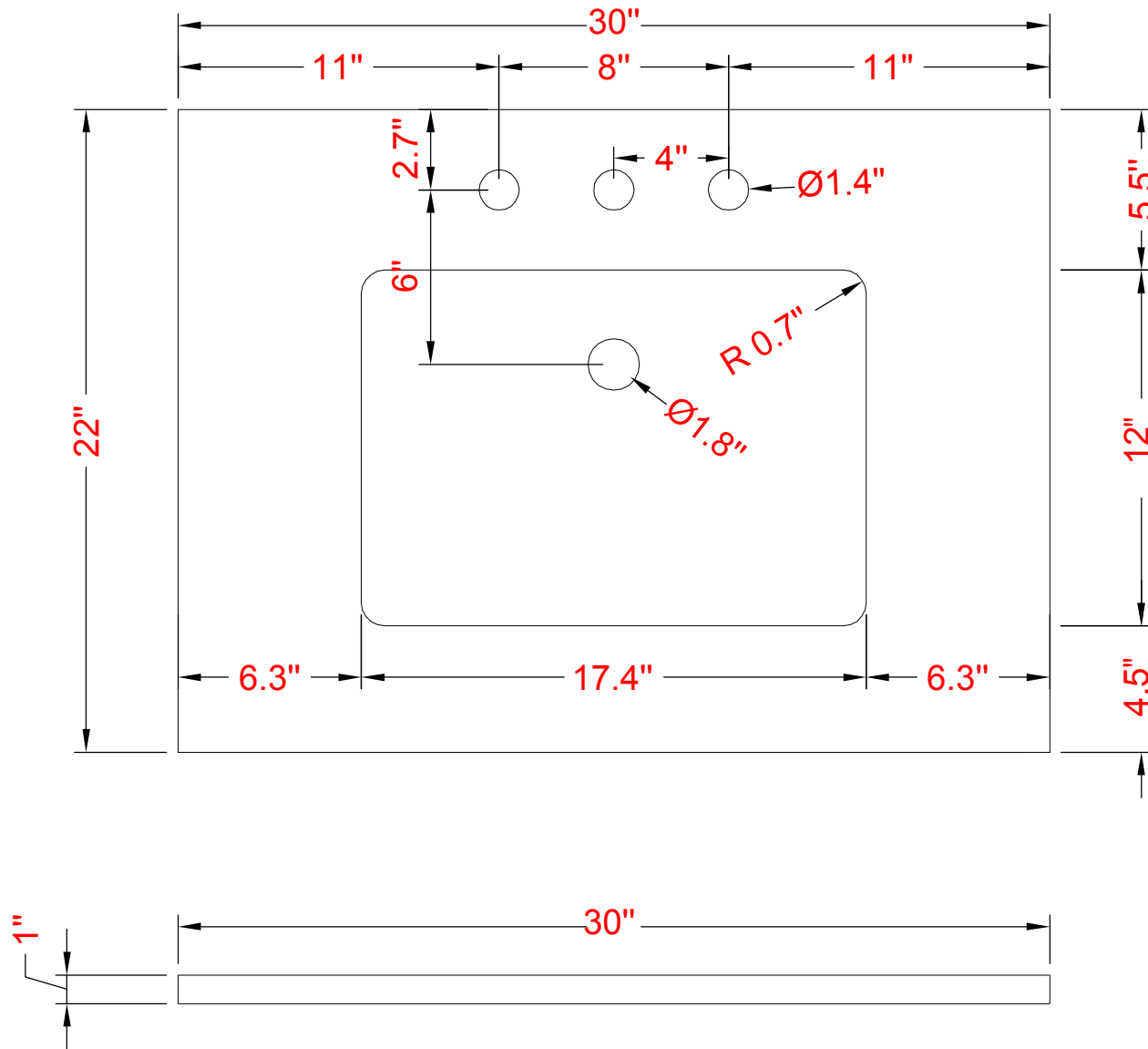


MODEL: CHESTNUT 30



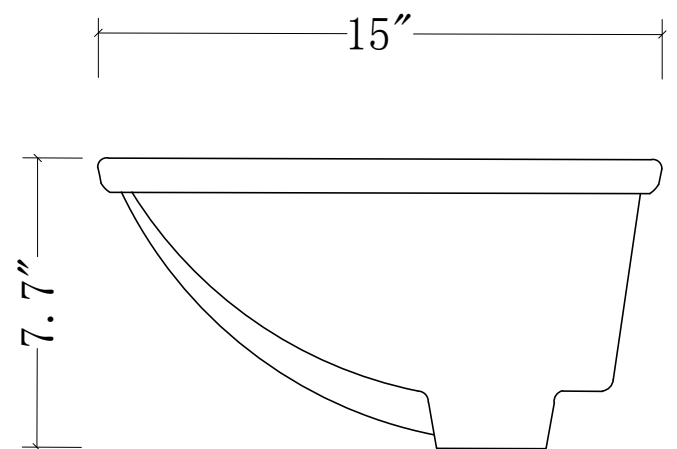
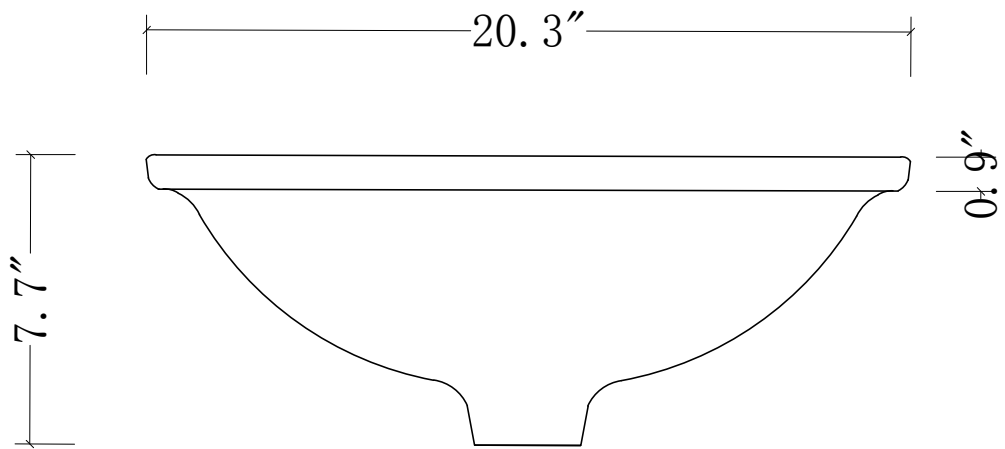
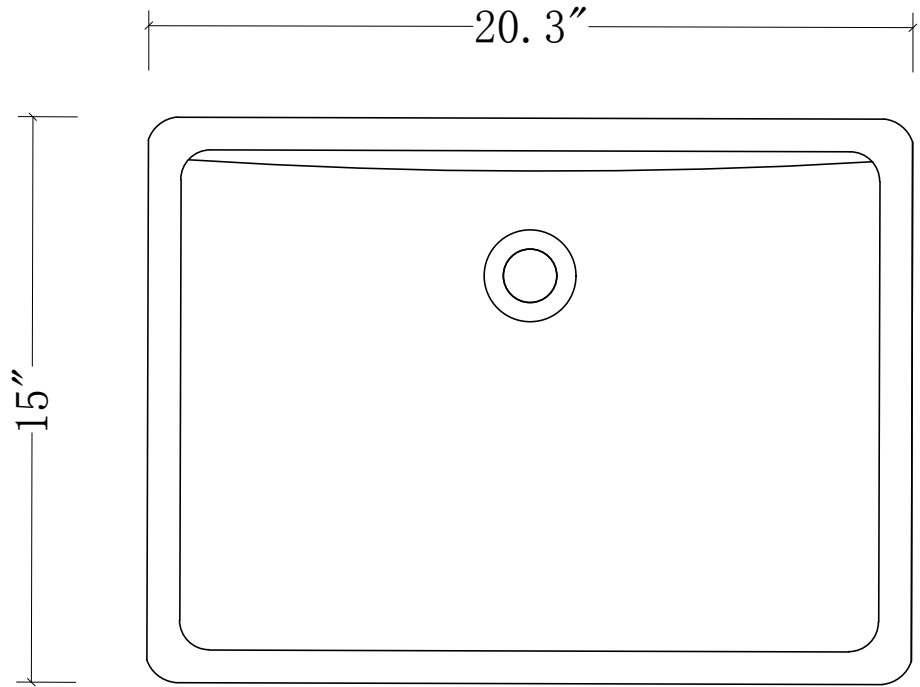


MODEL: CHESTNUT 30



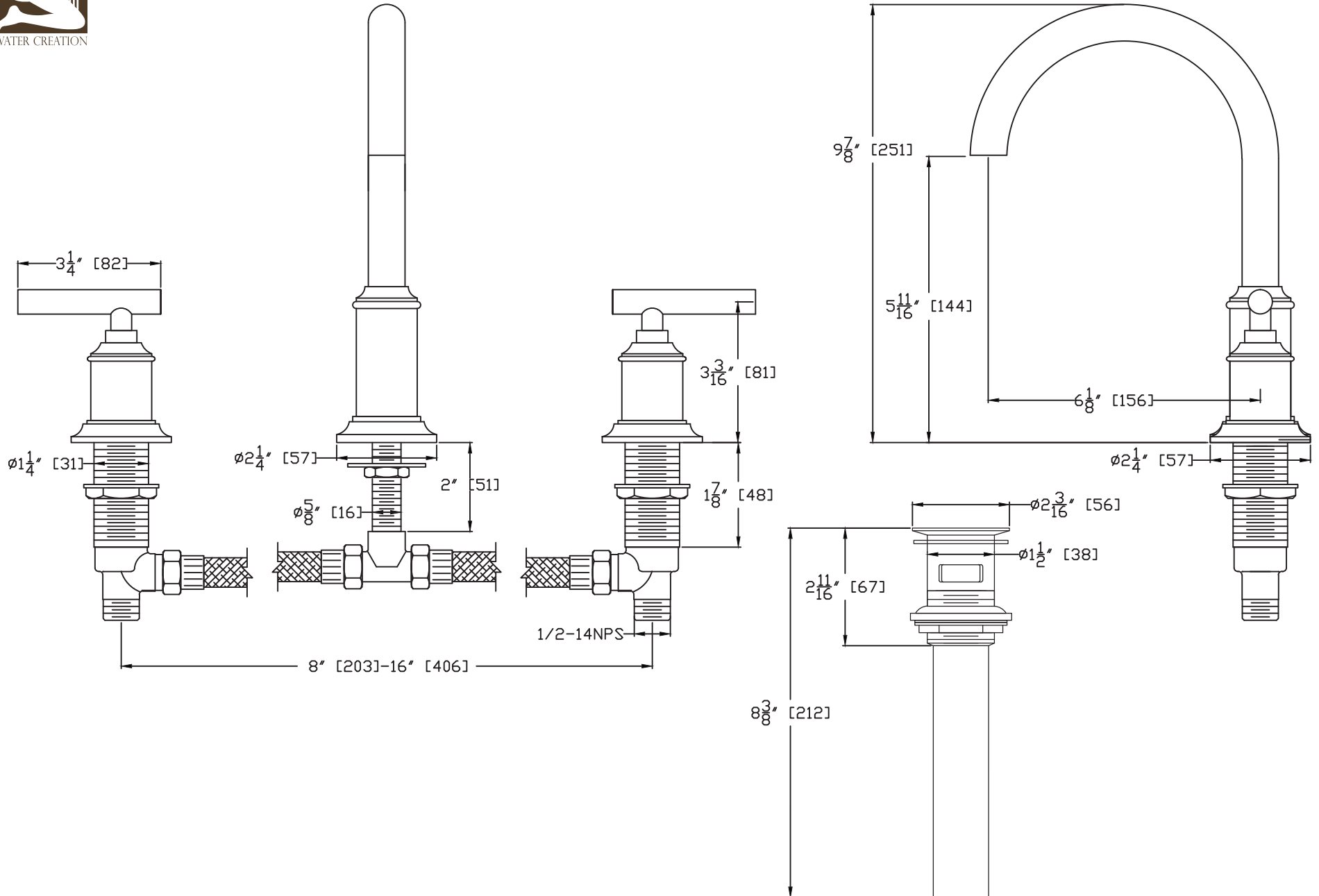


MODEL: CHESTNUT 30





MODEL: F2-0014





MODEL: RET-M-2136BKGK

