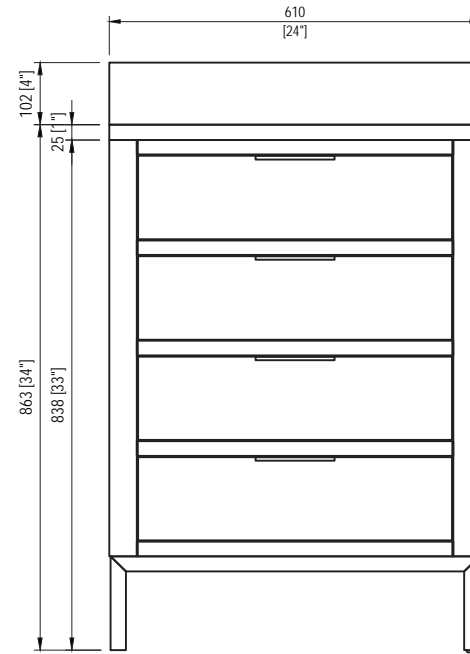
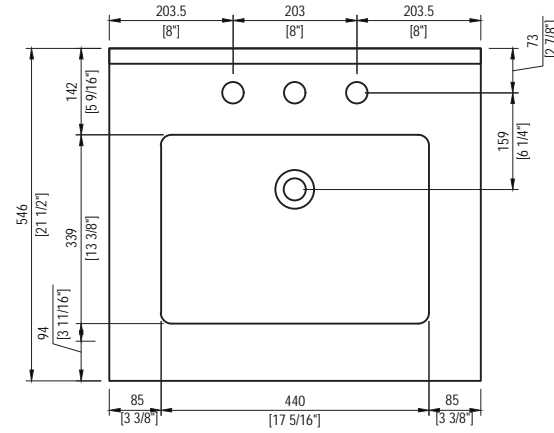
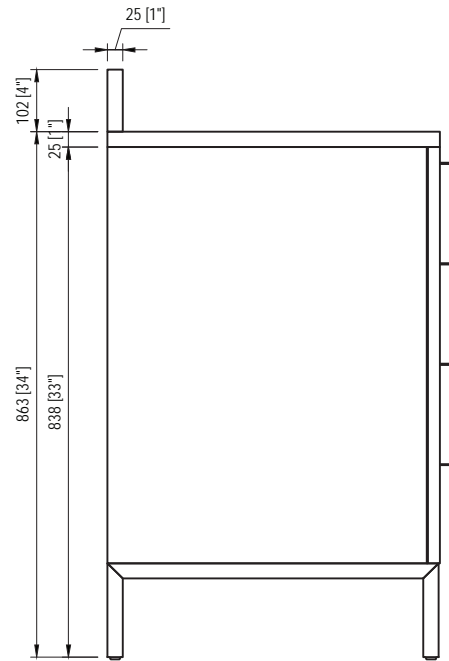


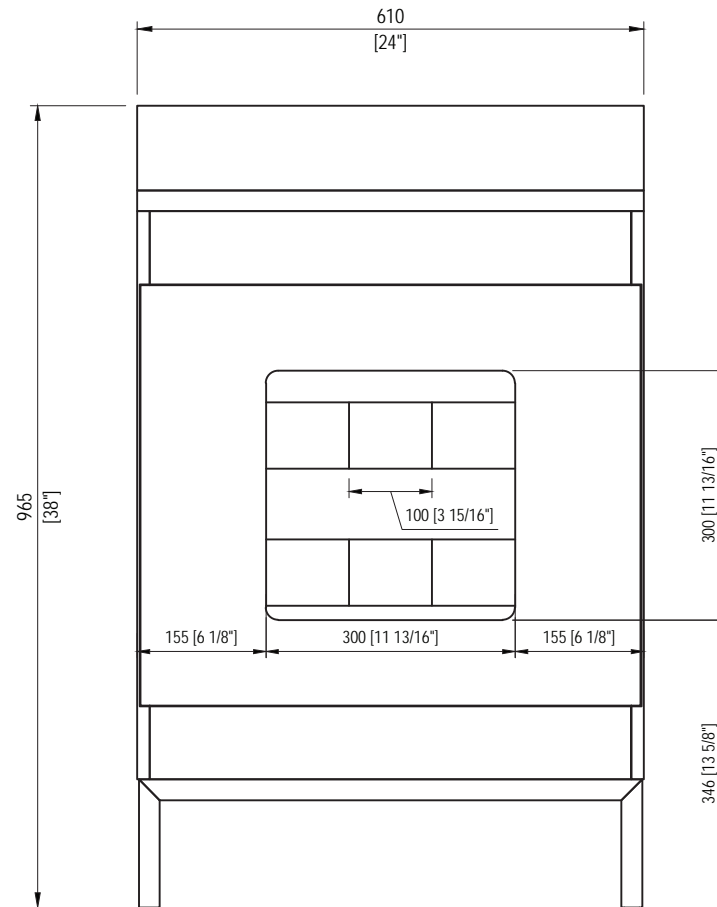


# MODEL: BRISTOL 24



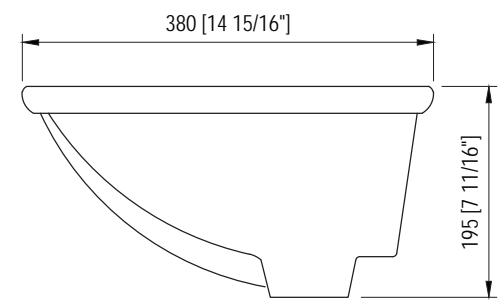
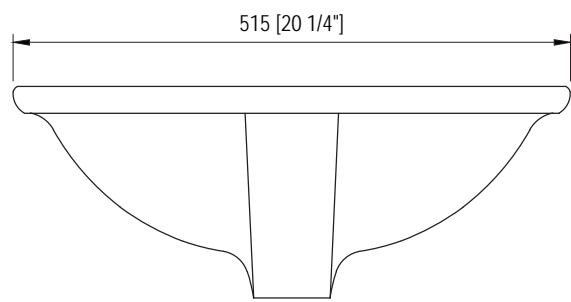
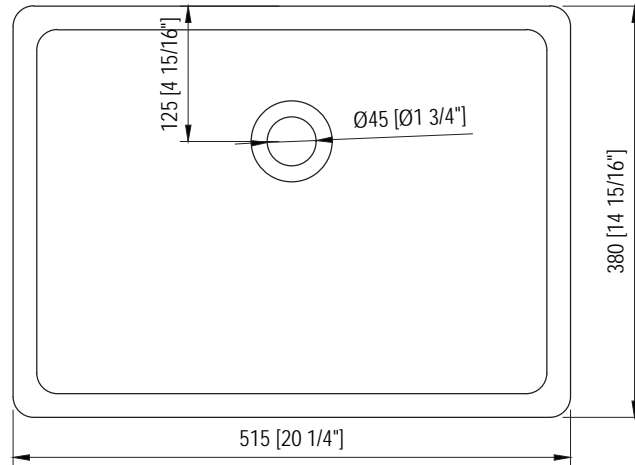


MODEL: BRISTOL 24



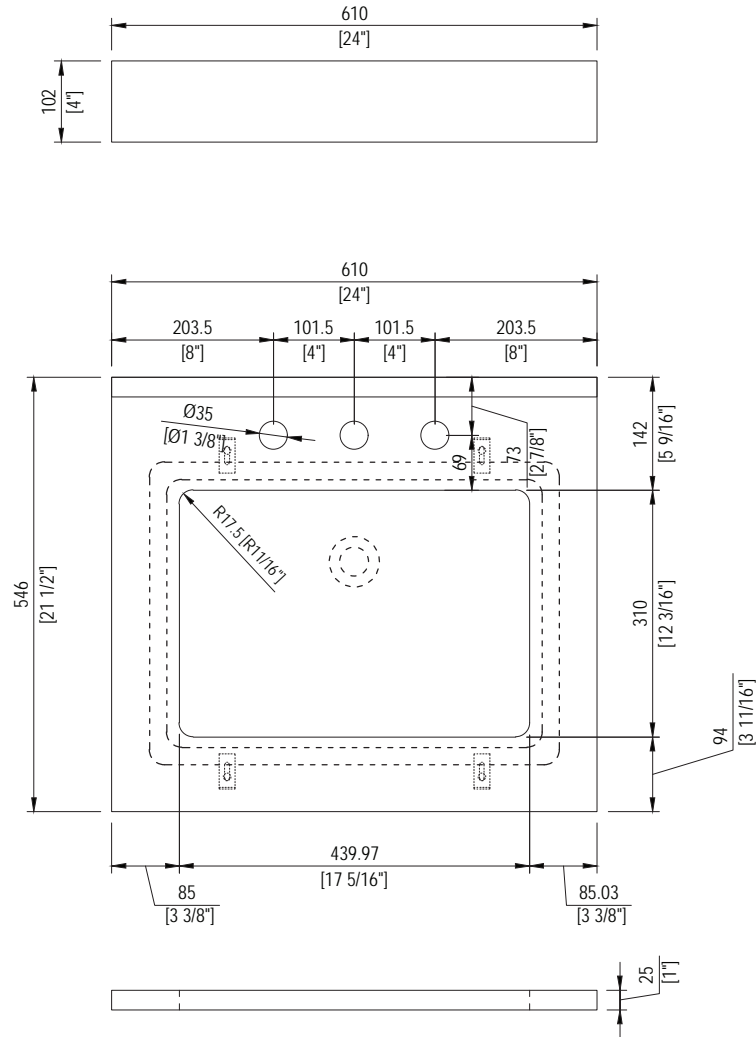


MODEL: BRISTOL 24





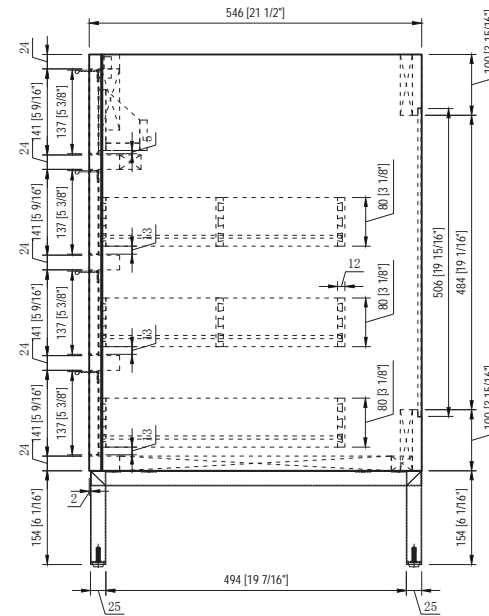
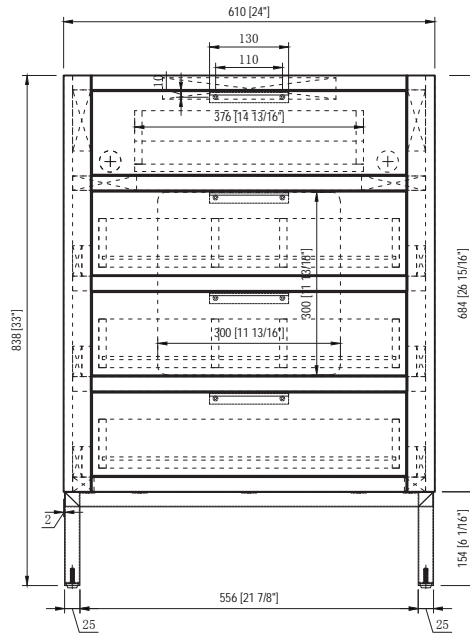
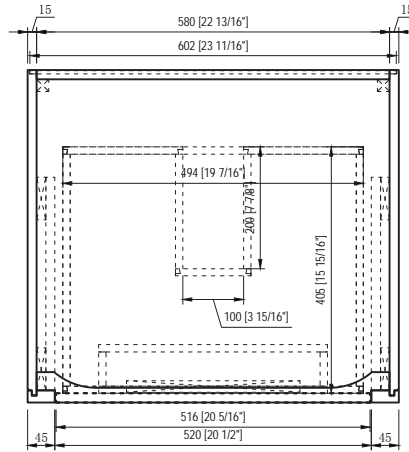
# MODEL: BRISTOL 24





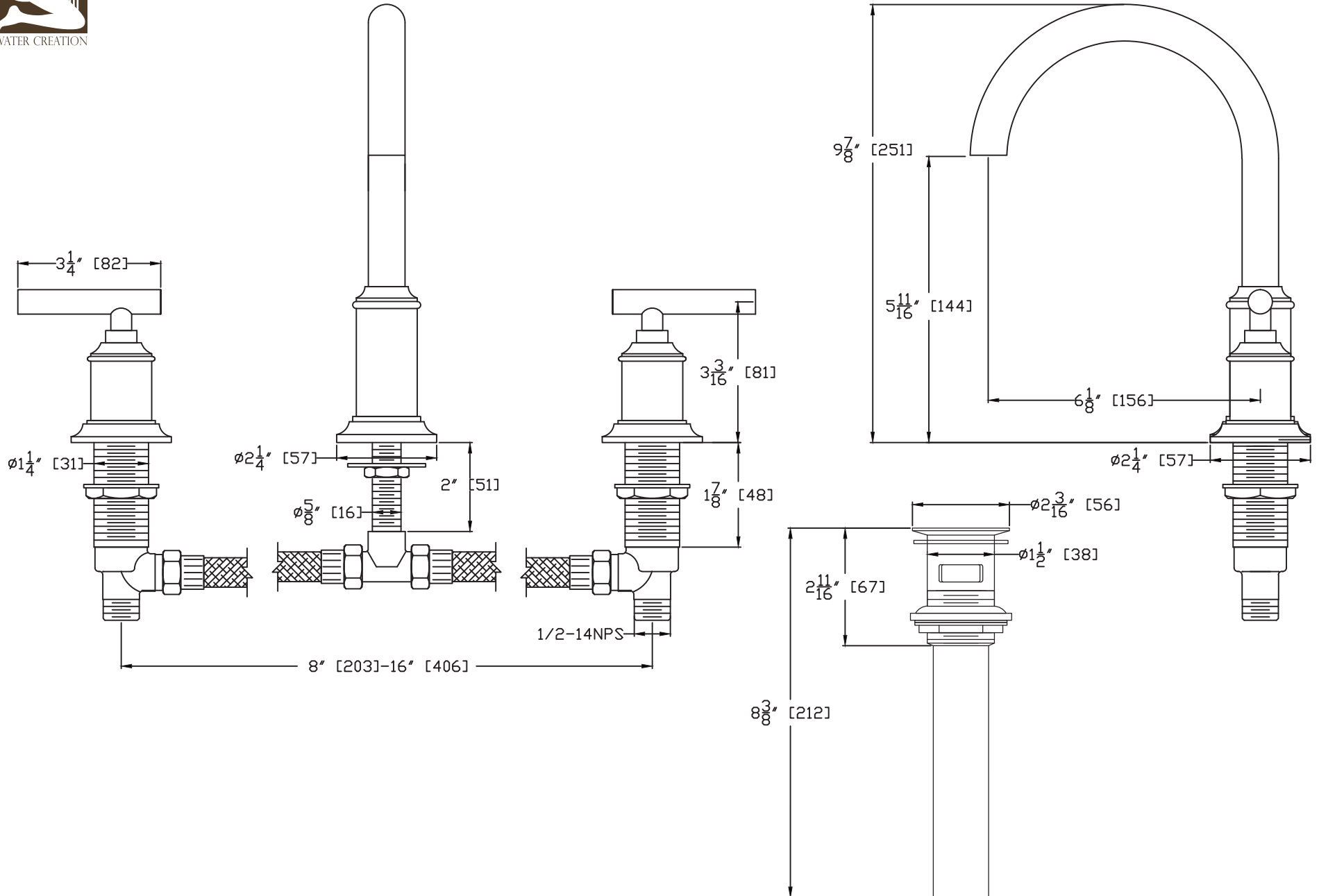
WATER CREATION

# MODEL: BRISTOL 24





MODEL: F2-0014





MODEL: RET-M-2136

